



1-057 Quarter-Turn Pr14.1 L13.5



Avantages

- Quarter-turn clipped in.
- Tool-less installation.
- Secure fixation in the cutout with 2 clip-in noses.
- RH / LH application.
- A pre-assembled quarter-turn can be installed in the cutout.

Materials

- **Housing and insert** : PA, black
- **Hexagon head screw**: stainless steel

Notes

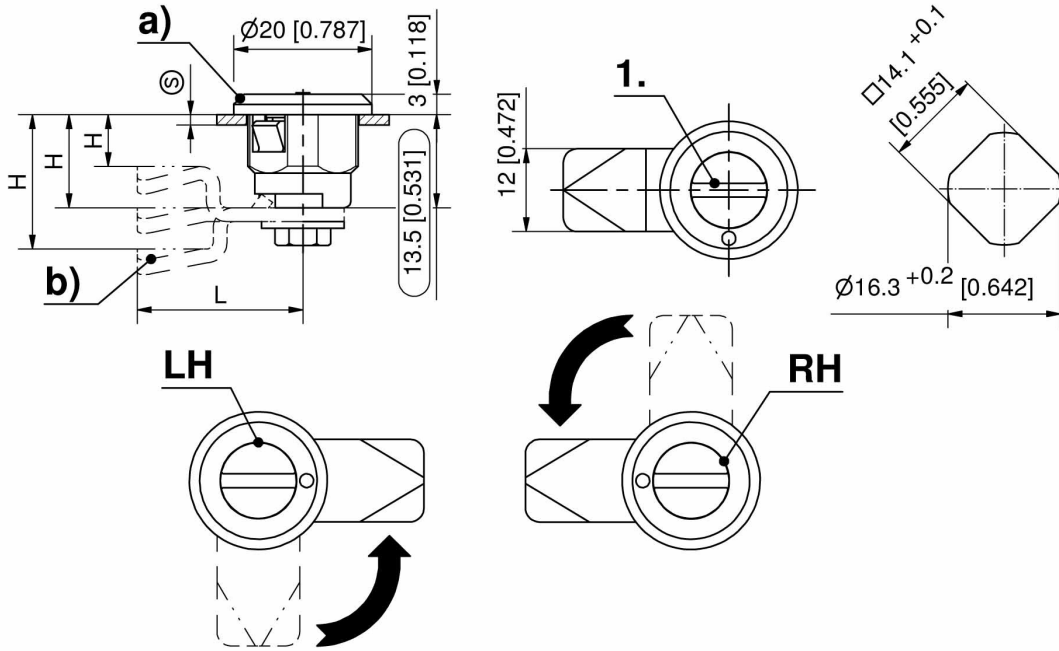
(S) Door-thickness 0.8 to 1.5 mm
The quarter-turn can only be clipped into the cutout when it is open.
The 2 clip-in noses (refer to drawing) must be able to move inwards during installation.
Please configure the quarter-turn with a cam.
1. open position= delivery condition



Quarter-Turn housing with Insert

| | Part Number | Insert | Housing length | Installation type | Delivery Unit |
|----|-------------------|---------------|----------------|-------------------|---------------|
| a) | 220-9701.00-00000 | Slotted 2x4mm | 13.5 mm | tool-less | 10 pcs. |

b) 1-058 **Cams for Quarter-Turn Pr14.1**





1-058 Cams for Quarter-Turn Pr14.1



Avantages

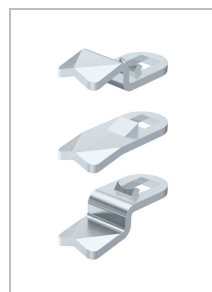
- Cams, L- and H-dimension fixed.
- Special cams, L- and H-dimension variable.
- Special cams with star connection, L- and H-dimension variable.

Materials

- **Cams:** steel, zinc plated

Notes

Please note: cams with star connection only for cylinder quarter-turns.
1. ramp 2mm
2. stop



Cam, L-and H-dimension variable

| | Part Number | Stop | H-dimension | Length | Delivery Unit |
|----|-------------------|------|-------------|--------|---------------|
| a) | 220-0501.00-00000 | Yes | 13.5 mm | 24 mm | 10 pcs. |
| b) | 220-0502.00-00000 | Yes | 19.5 mm | 24 mm | 10 pcs. |
| c) | 220-0503.00-00000 | Yes | 7.5 mm | 24 mm | 10 pcs. |
| d) | 220-10LL.00-Hxxmm | Yes | | | on request |
| e) | 220-20LL.00-Hxxmm | No | | | on request |

