



## 1-075 Compression Latch Pr22.1 with Flap



### Avantages

- Compression 6mm.
- The open flap indicates locking position and protects against dust and water.
- The flap is standing upright (90°) in unlocked position.
- The spring-loaded flap first closes, when compression latch is closed securely.
- Seismic-proof according GR-63-CORE, Issue 4.
- Vibration-proof according to DIN EN 61373.
- IP65/IP67 according to DIN EN 60529.
- RH and LH version.
- Grounding by grounding nut.

### Materials

- **Housing, flap and insert:** zinc die, black
- **Grounding nut:** zinc die, untreated
- **Screw:** steel, zinc plated
- **Nut and spring:** stainless steel
- **O-rings:** NBR

### Notes

(S) Door-thickness max. 8mm  
Please configure the quarter-turn with insert and cam.  
The H-dimension can be varied by the cranking of the cams.  
1. stroke 6mm  
2. o-ring  
3. single-sided grounding nut



## Compression Latch with insert, version RH, closing left

	Part Number	Insert	Installation type	Delivery Unit
a)	248-9601.00-00001	Double bit 3mm pin	screw-on	1 pc.
a)	248-9601.00-00002	Double bit 5mm pin	screw-on	1 pc.
a)	248-9601.00-00003	Square 8mm	screw-on	1 pc.
a)	248-9601.00-00004	Triangular 8mm	screw-on	1 pc.
a)	248-9601.00-00005	Conical square 9mm	screw-on	1 pc.

## Compression Latch with insert, version LH, closing right

	<b>Part Number</b>	<b>Insert</b>	<b>Installation type</b>	<b>Delivery Unit</b>
a)	248-9651.00-00001	Double bit 3mm pin	screw-on	1 pc.
a)	248-9651.00-00002	Double bit 5mm pin	screw-on	1 pc.
a)	248-9651.00-00003	Square 8mm	screw-on	1 pc.
a)	248-9651.00-00004	Triangular 8mm	screw-on	1 pc.
a)	248-9651.00-00005	Conical square 9mm	screw-on	1 pc.

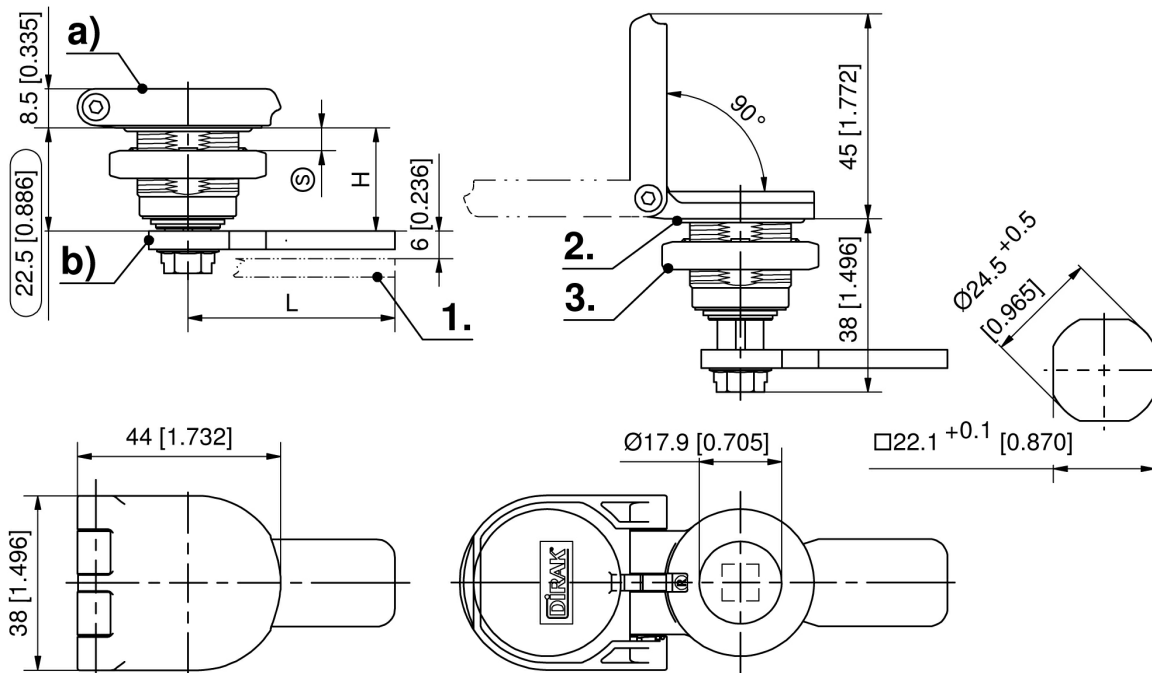
**Assembly options**

200-0020.00-00000 **Assembling cam, LH door**

200-0021.00-00000 **Assembling cam, RH door**

**\* Accessories**

- b) 1-102.01 **Cams L45 Steel**
- 6-100 **Wrenches and Keys**
- 6-101 **Universal key**
- 6-105 **Keys for the Railway Sector**





# 1-102.01 Cams L45 Steel



## Avantages

- Cams without ramp and stop.
- **a** = straight cam (XX)
- **(XX)** = housing length, measured from the upper edge of the panel to the upper edge of the cam.
- **b** = negatively bent cam (upwards).
- **c** = positively bent cam (downwards).

## Materials

- **Cams:** steel, zinc plated

## Notes

Attention: please note that a collision with the fixing nut of negatively bent cams installed in thick doors might be possible. The functionality has to be checked in the individual case.  
Formula for H-dimension:  
for negatively bent cams K will be subtracted from (XX),  
for positively bent cams K will be added to (XX).



## Cam, length 45mm, without stop

<b>Part Number</b>	<b>b) negatively bent K =</b>	<b>c) positively bent K =</b>	<b>Delivery Unit</b>
100-0545.15-00022	22 mm	22 mm	1 pc.
100-0545.15-00020	20 mm	20 mm	1 pc.
100-0545.15-00018	18 mm	18 mm	1 pc.
100-0545.15-00016	16 mm	16 mm	1 pc.
100-0545.15-00014	14 mm	14 mm	1 pc.
100-0545.15-00012	12 mm	12 mm	1 pc.
100-0545.15-00010	10 mm	10 mm	1 pc.
100-0545.15-00008	8 mm	8 mm	1 pc.
100-0545.15-00006	6 mm	6 mm	1 pc.
100-0545.15-00004	4 mm	4 mm	1 pc.
100-0545.15-00002	2 mm	2 mm	1 pc.
a) 100-0545.15-00000	00 mm	00 mm	1 pc.

