



1-095 Quarter-Turn Polyamide Pr20.1 L18



Avantages

- For cutout Pr20.1.
- Protective insulated.
- IP65/67 according to DIN EN 60529 (optional).
- RH / LH application.
- The quarter-turn can be screwed into the cutout with the pre-assembled cam.
- When using inserts zinc die + cams stainless steel or inserts stainless steel + cams stainless steel, electrical continuity can be ensured by means of the grounding clip.

Materials

- **Housing and cams:** PA, black
- **Nut:** see table

Notes

(S) Door-thickness max. 8mm
Please configure the quarter-turn with insert and cam.
Pre-assembling by DIRAK is advisable.



Quarter-Turn housing + nut

	Part Number	Version	Material nut	Installation type	Delivery Unit
a)	200-9003.00-00000	housing head frustoconical	steel	screw-on	10 pcs.
a)	200-9044.00-00000	housing head frustoconical	stainless steel	screw-on	10 pcs.
a)	200-9077.00-00000	housing head frustoconical	PA	screw-on	10 pcs.
b)	100-9611.00-00000	housing head rounded	steel	screw-on	10 pcs.
b)	100-9612.00-00000	housing head rounded	PA	screw-on	10 pcs.
b)	100-9614.00-00000	housing head rounded	stainless steel	screw-on	10 pcs.

Cams L35, with stop

	Part Number	H-dimension	Delivery Unit
d)	200-5318.00-00000	18 mm	10 pcs.
d)	200-5320.00-00000	20 mm	10 pcs.
d)	200-5322.00-00000	22 mm	10 pcs.
d)	200-5325.00-00000	25 mm	10 pcs.
d)	200-5328.00-00000	28 mm	10 pcs.

Function

+ extension

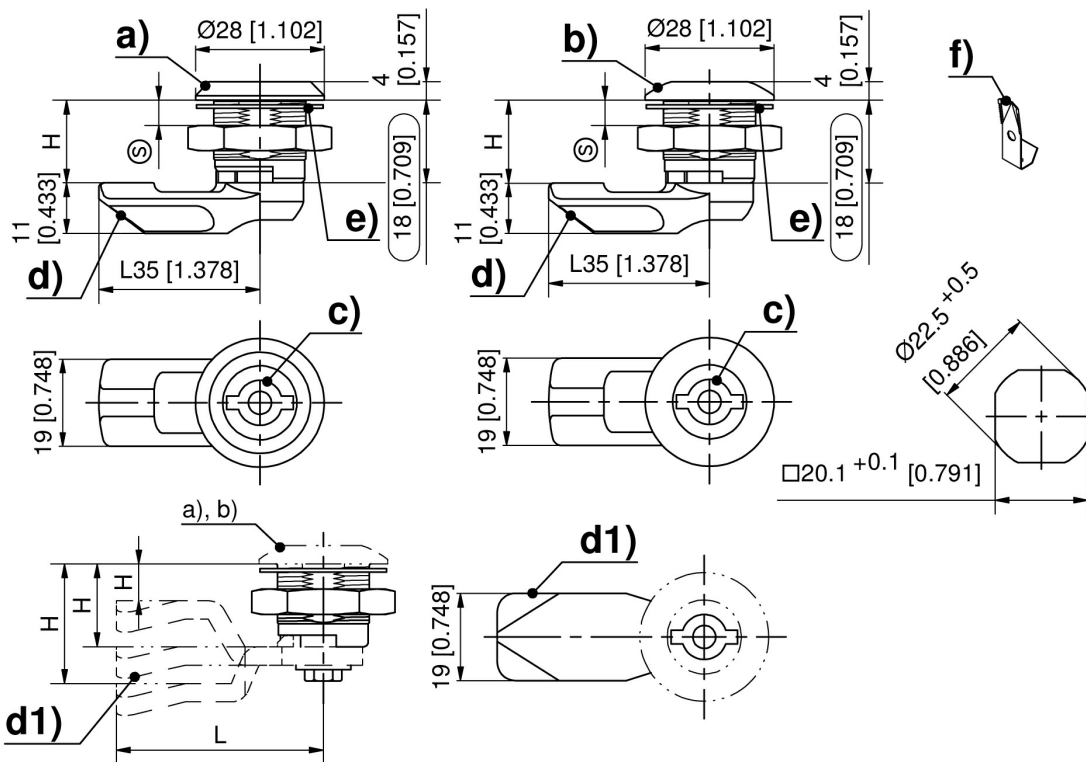
- f) 200-1101.04-00000 **Grounding clip**
- e) 209-9001.00-00000 **Sealing kit IP67 for Quarter-Turns Pr20.1**
- e) 209-9002.00-00000 **Sealing kit IP65 for Quarter-Turns Pr20.1**

Assembly options

- 200-0001.00-00000 **Assembling cam without o-ring**
- 200-0002.00-00000 **Assembling cam with o-ring**
- 200-0006.00-00000 **Assembling cam 90° to wing knob without o-ring**
- 200-0007.00-00000 **Assembling cam 90° to wing with o-ring**

* Accessories

- c) 1-101 **Inserts Pr20.1**
- c) 7-082 **Insert Stainless Steel Pr20.1**
- d1) 1-102 **Cams L35/45 Steel**
- d1) 7-105 **Cams L35/45 Stainless Steel**
- 6-100 **Wrenches and Keys**
- 6-101 **Universal key**





1-101 Inserts Pr20.1



Avantages

- For quarter-turn cutout 20.1

Materials

Notes

1. inserts zinc die, consisting of: insert, spring washer and self locking screw
 2. inserts PA, consisting of: insert, spring washer and self-tapping screw
- Suitable keys see product-system 6-100 and 6-101.



Insert, zinc die, chrome plated glossy

	Part Number	Insert	Indicator	Delivery Unit
a)	200-9101.00-00000	Square 6mm		10 pcs.
a1)	200-9102.00-00000	Square 7mm	Yes	10 pcs.
a2)	200-9103.00-00000	Square 8mm	Yes	10 pcs.
a3)	200-9111.00-00000	Square 8mm, slotted		10 pcs.
b)	200-9106.00-00000	Triangular 6,5mm CNOMO Type 1		10 pcs.
b1)	200-9104.00-00000	Triangular 7mm		10 pcs.
b2)	200-9105.00-00000	Triangular 8mm		10 pcs.
b3)	200-9147.00-00000	Triangular 9mm EDF		10 pcs.
b4)	100-9166.00-00000	Triangular 9mm	Yes	10 pcs.
c)	200-9107.00-00000	Double bit 3mm pin		10 pcs.
c1)	200-9108.00-00000	Double bit 5mm pin		10 pcs.
d)	200-9171.00-00000	Hex. SW 7/16"		10 pcs.
d1)	200-9185.00-00000	Hex. SW10		10 pcs.
e)	200-9142.00-00000	Socket hex. 6mm		10 pcs.
e1)	200-9196.00-00000	Socket hex. SW 8mm		10 pcs.
e2)	200-9112.00-00000	Socket hex. 10mm		10 pcs.
e3)	200-9172.00-00000	Socket hex. 5/16" pin 3mm		10 pcs.
f)	200-9166.00-00000	Square socket 6mm		10 pcs.
f1)	200-9167.00-00000	Square socket 7mm		10 pcs.
f2)	200-9168.00-00000	Square socket 8mm		10 pcs.
g)	200-9109.00-00000	Daimler Benz pin		10 pcs.
h)	200-9113.00-00000	Slotted 2x4mm		10 pcs.
i)	200-9110.00-00000	Crown type		10 pcs.
k)	200-9164.00-00000	Slotted recessed coinproof		10 pcs.
l)	200-9154.00-00000	Half-round czech		10 pcs.
m)	200-9170.00-00000	FIAT		10 pcs.
n)	200-9141.00-00000	GDF 10 x 5mm France		10 pcs.

Insert, zinc die, matt chrome plated

	Part Number	Insert	Delivery Unit
a1)	200-9102.40-00000	Square 7mm	10 pcs.
a2)	200-9128.40-00000	Square 8mm	10 pcs.
b2)	200-9105.40-00000	Triangular 8mm	10 pcs.
c)	200-9131.40-00000	Double bit 3mm pin	10 pcs.
c1)	200-9132.40-00000	Double bit 5mm pin	10 pcs.

Insert, zinc die, black

	Part Number	Insert	Indicator	Delivery Unit
a)	200-9127.00-00000	Square 6mm		10 pcs.
a1)	200-9116.00-00000	Square 7mm	Yes	10 pcs.
a2)	200-9128.00-00000	Square 8mm	Yes	10 pcs.
b1)	200-9129.00-00000	Triangular 7mm		10 pcs.
b2)	200-9130.00-00000	Triangular 8mm		10 pcs.
b3)	200-9148.00-00000	Triangular 9mm EDF		10 pcs.
b4)	100-9167.00-00000	Triangular 9mm	Yes	10 pcs.
c)	200-9131.00-00000	Double bit 3mm pin		10 pcs.
c1)	200-9132.00-00000	Double bit 5mm pin		10 pcs.
d)	100-9127.00-00000	Hex. SW 7/16"		10 pcs.
e1)	200-9197.00-00000	Socket hex. SW 8mm		10 pcs.
e3)	200-9178.00-00000	Socket hex. 5/16" pin 3mm		10 pcs.
g)	200-9133.00-00000	Daimler Benz pin		10 pcs.
h)	200-9143.00-00000	Slotted 2x4mm		10 pcs.
k)	200-9169.00-00000	Slotted recessed coinproof		10 pcs.
q)	100-9115.00-00000	Wing knob (only for housings Ø28)		10 pcs.

Insert, PA / zinc die comb. black

	Part Number	Insert	Delivery Unit
c)	200-9117.00-00000	Double bit 3mm pin	10 pcs.
c1)	200-9118.00-00000	Double bit 5mm pin	10 pcs.
h)	200-9126.00-00000	Slotted 2x4mm	10 pcs.
o)	200-9114.00-00000	Star knob	10 pcs.
p)	200-9115.00-00000	Wing knob	10 pcs.

Insert, PA black

	Part Number	Insert	Delivery Unit
a1)	200-9155.00-00000	Square 7mm	10 pcs.
a2)	200-9156.00-00000	Square 8mm	10 pcs.
b2)	200-9158.00-00000	Triangular 8mm	10 pcs.
c)	200-9159.00-00000	Double bit 3mm pin	10 pcs.
c1)	200-9160.00-00000	Double bit 5mm pin	10 pcs.
h)	200-9161.00-00000	Slotted 2x4mm	10 pcs.
k)	200-9186.00-00000	Slotted recessed coinproof	10 pcs.
l)	200-9184.00-00000	Half-round czech	10 pcs.
p)	200-9173.00-00000	Wing knob	10 pcs.

6-100 Wrenches and Keys

6-101 Universal key

