



2-090.03 Swinghandle RS PrC for Inserts



Avantages

- Swinghandle with liftable operating lever.
- 90° Closing rotation.
- Swinghandle can be locked with inserts (inserts must be ordered separately).
- IP65 according to DIN EN 60529 - version dish with cap.
- RH / LH application.
- Grounding by grounding nut (optional).

Materials

- **Handle:** zinc die, chrome plated or black or PA, black
- **Dish and cap:** PA, black
- **Shaft:** brass
- **Bearing plate:** zinc die, untreated
- **Seals:** NBR

Notes

(S) Door-thickness 1.5 - 2.5mm
1. stroke 18mm
2. clearance
Alternative products see also 2-090, 2-090.01, 2-090.02, 2-090.04.

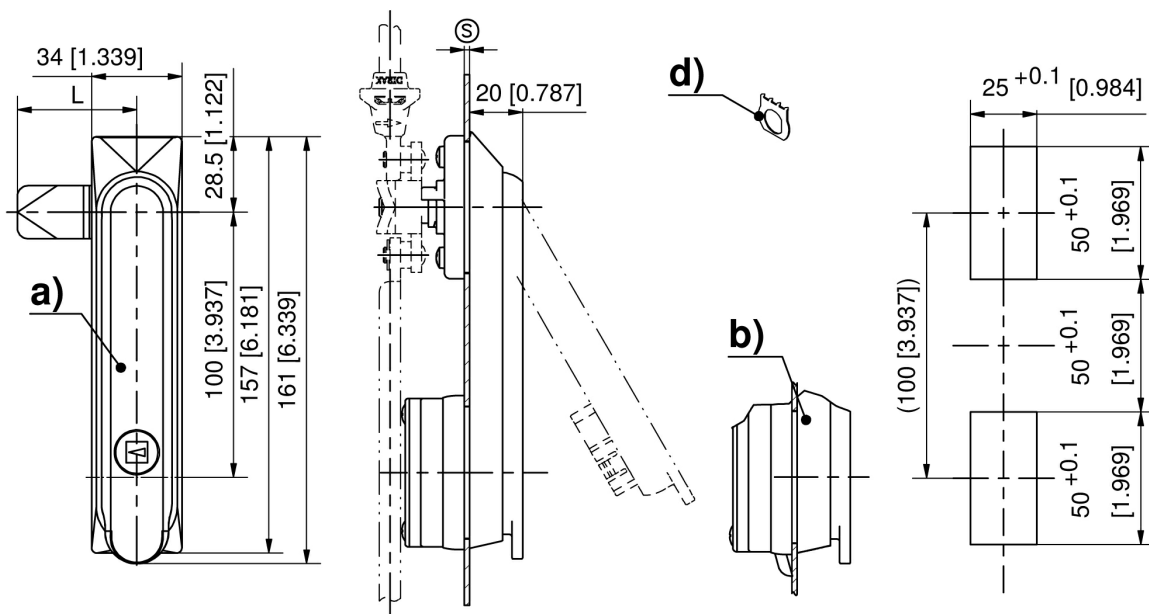


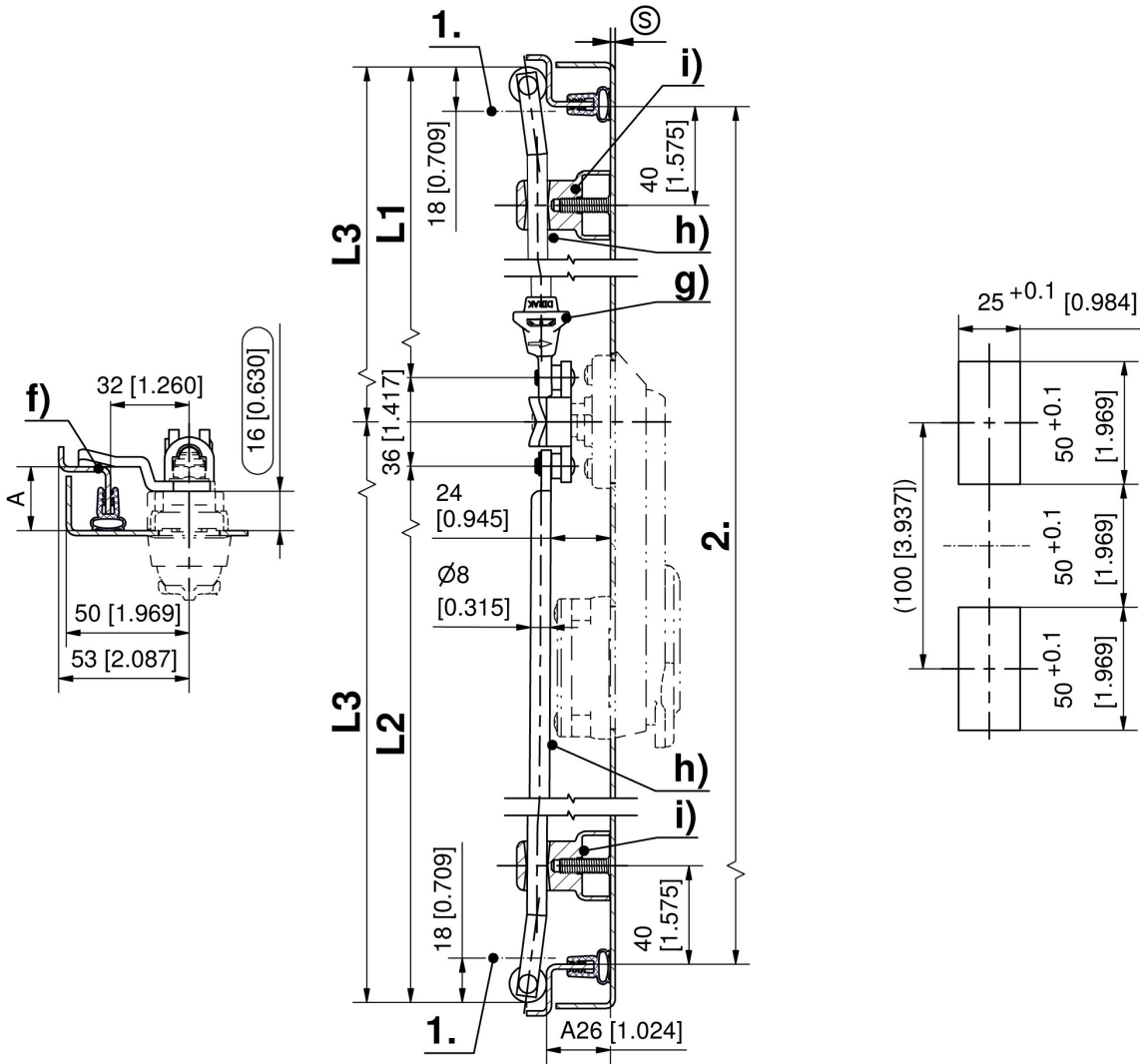
Swinghandle for inserts

	Part Number	Handle material	Surface handle	Dish	IP protection	Installation type	Delivery Unit
a)	207-9244.00-00000	PA	black	with cap	IP65	screw-on	1 pc.
b)	107-9279.00-00000	PA	black	with hook		screw-on	1 pc.
a)	107-9205.00-00000	zinc die	chrome plated	with cap	IP65	screw-on	1 pc.
a)	107-9206.00-00000	zinc die	black	with cap	IP65	screw-on	1 pc.

* Accessories

- c) 2-141 Inserts
- d) 3-011 Grounding Clip Stainless Steel
- f) 2-150 3-Point Cam L45, Rod Control
- f) 2-151 2-, 3- and 4-Point Cam Adapter
- f) 2-151.04 3-Point Cam Adapter
- g) 1-181 Adapter for Round Rods Ø8mm PA
- g) 1-181.01 Adapter for Round Rods Ø8mm / Ø10mm Zinc Die
- h) 1-170 Round Rods with Eye
- h) 1-180 Round Rods for Adapter
- i) 1-190 Rod Guides RS
- i) 1-193 Rod Guide RS
- 6-100 Wrenches and Keys
- 6-101 Universal key





Formula for rods with eye and rollers:
cutout in the door center (rod length varies)

$$L_1 = \frac{\text{upper rod}}{2} = \frac{2 \cdot \text{clearance} - 12 \text{mm} [0.472]}{2 [0.079]} - 50 \text{ mm} [1.969] \quad L_2 = \frac{\text{lower rod}}{2} = \frac{2 \cdot \text{clearance} - 12 \text{mm} [0.472]}{2 [0.079]} + 50 \text{ mm} [1.969]$$

cutout outside the door center (rod length equal)

$$L_3 = \frac{2 \cdot \text{clearance} - 12 \text{mm} [0.472]}{2 [0.079]}$$



2-141 Inserts



Avantages

- Inserts with spring washer for swinghandle see product system 2-070, 2-080.01, 2-080.02, 2-090.03, 3-070, 3-155.02 and 6-111.02.
- Insert sets consist of insert and spring washer.

Materials

- **Insert:** zinc die, chrome plated
- **Wave washer:** spring steel, zinc plated

Notes

Suitable keys see product system 6-100 and 6-101.
For further versions please contact DIRAK.



Inserts

	Part Number	Insert	Delivery Unit
a)	211-9501.00-00000	Square 6mm	1 pc.
b)	211-9502.00-00000	Square 7mm	1 pc.
c)	211-9503.00-00000	Square 8mm	1 pc.
d)	211-9504.00-00000	Square 8mm, slotted	1 pc.
e)	211-9505.00-00000	Triangular 6.5mm CNOMO	1 pc.
f)	211-9506.00-00000	Triangular 7mm	1 pc.
g)	211-9507.00-00000	Triangular 8mm	1 pc.
h)	211-9508.00-00000	Triangular 9mm EDF	1 pc.
i)	211-9509.00-00000	Double bit 3mm pin	1 pc.
k)	211-9510.00-00000	Double bit 5mm pin	1 pc.
l)	211-9511.00-00000	Socket hex. 6mm	1 pc.
m)	211-9512.00-00000	Socket hex. 10mm	1 pc.
n)	211-9513.00-00000	Daimler Benz type	1 pc.
o)	211-9514.00-00000	Slotted 2x4mm	1 pc.
p)	211-9515.00-00000	Slotted recessed coinproof	1 pc.
q)	211-9516.00-00000	Crown type	1 pc.
r)	211-9517.00-00000	Square socket 6mm	1 pc.
s)	211-9518.00-00000	Square socket 7mm	1 pc.
t)	211-9519.00-00000	Square socket 8mm	1 pc.
u)	211-9520.00-00000	Half-round czech	1 pc.

