



## 2-126.01 Dual-Key Cylinder Swinghandle RS 105, RC2



### Avantages

- Dual-key cylinder swinghandle with pivotable operating lever.
- Complies with security test to DIN EN 1630 RC2. Only in combination with profile cylinders according to DIN 18252.
- Can be opened with either of the two key cylinders. Accepts 40mm and 45mm profile cylinders.
- The handle can be locked without using a key.
- Seismic-proof according to GR-63-CORE, Issue 4.
- Vibration-proof according to DIN EN 61373.
- IP65 according to DIN EN 60529.
- Including steel insert (saw protection).
- Logo (1.) on handle on request.

### Materials

- **Swinghandle and dish:** zinc die, ZL 0430, black
- **Other surfaces on request!**

### Notes

(S) Door-thickness 3mm - max. 6mm  
1. stroke 18mm  
2. clearance  
To use the same door both RH and LH, 2 holes □46, symmetrical to door center are possible.

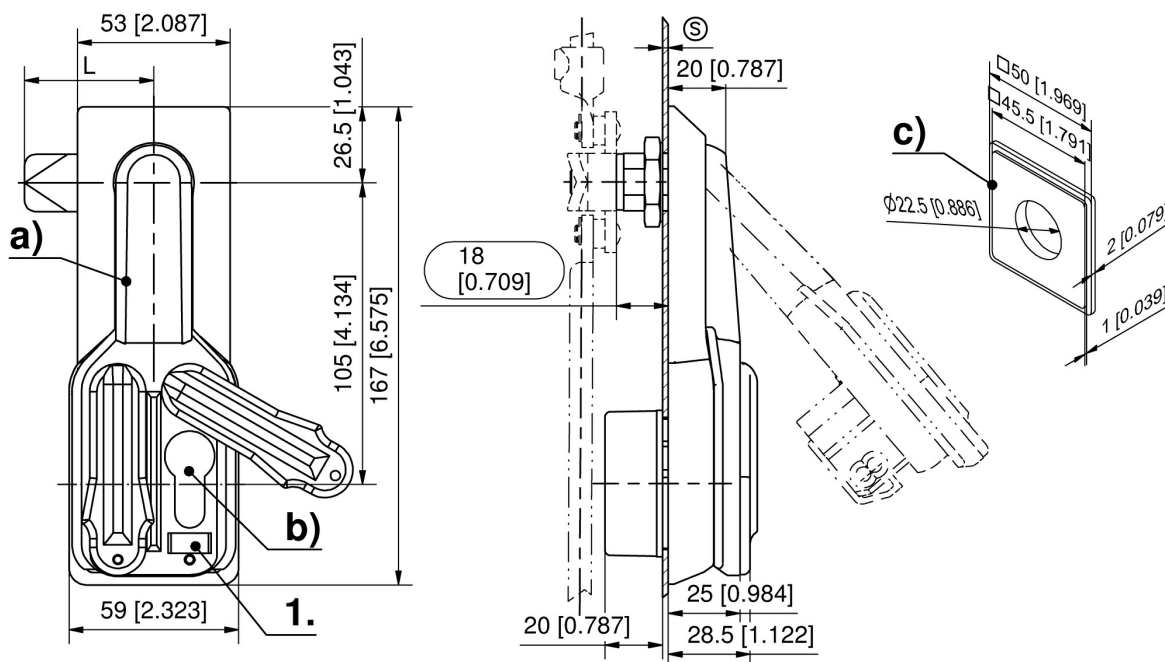


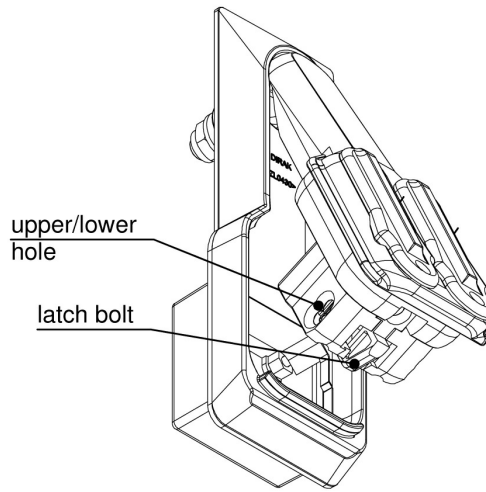
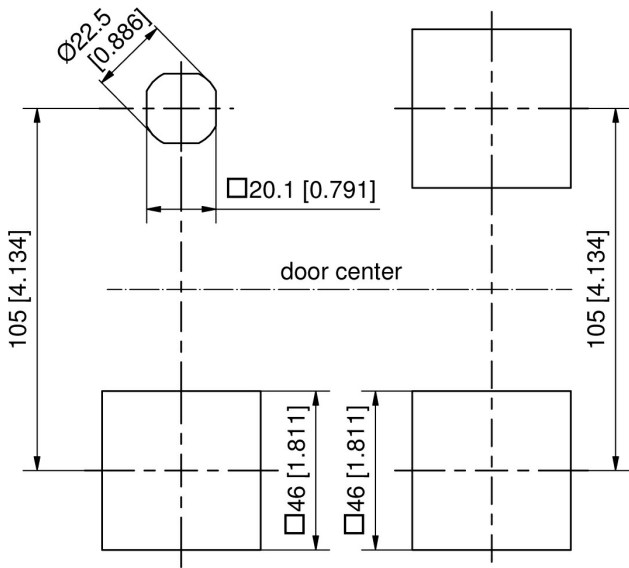
## Dual-key cylinder swinghandle, RC2 tested

	Part Number	Internal cover	Cylinder cover material	Securable	Installation type	Delivery Unit
a)	207-9614.00-00000	□46	zinc die	Yes	screw-on	1 pc.

\* Accessories

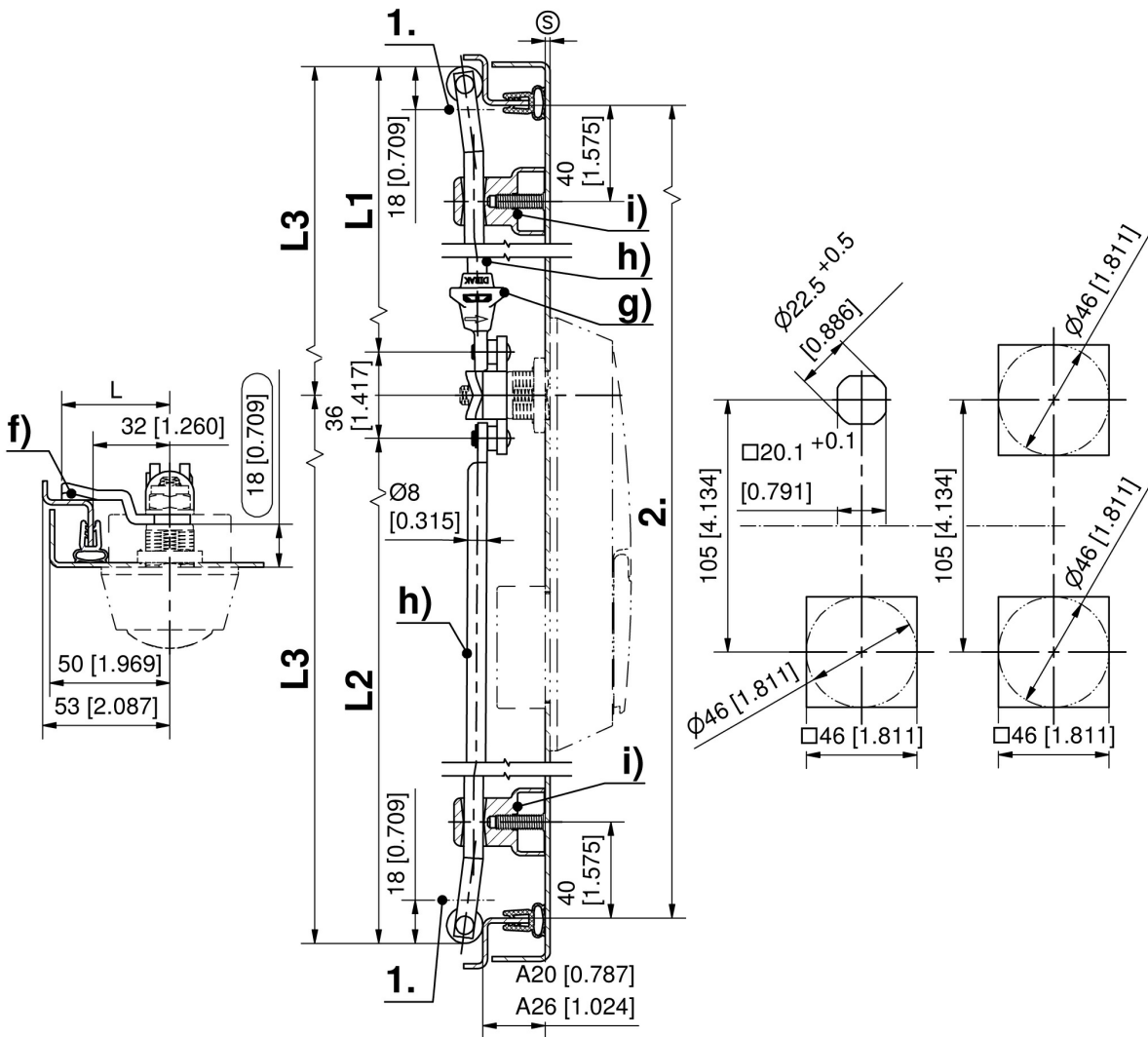
- b) 2-140 **Profile-Cylinder DIN 18252**
- c) 207-2702.03-00000 **Adapter for cutout □46mm**
- c) 207-2803.00-00000 **Gasket for adapter □46mm**
- f) 2-150 **3-Point Cam L45, Rod Control**
- f) 207-9595.00-00000 **Adapter for 3-point cam**
- f) 207-9596.00-00000 **Adapter for 3-point cam**
- g) 1-181 **Adapter for Round Rods Ø8mm PA**
- g) 1-181.01 **Adapter for Round Rods Ø8mm / Ø10mm Zinc Die**
- h) 1-170 **Round Rods with Eye**
- h) 1-180 **Round Rods for Adapter**
- i) 200-3625.51-00000 **Rod guide**
- i) 200-3623.51-00000 **Rod guide**
- 204-0301.00-00000 **PZ building key**





To use the same door both RH and LH, 2 holes  $\square 46$ , symmetrical to door center, are possible, see h) and h1).

upper hole for profile cylinder 40mm [1.575],  
upper hole for profile cylinder 45mm [1.772].



Formula for rods with eye and rollers:  
cutout in the door center (rod length varies)

$$L_1 = \frac{\text{upper rod}}{2} = \frac{2 \cdot \text{clearance} - 12\text{mm}[0.472]}{2 [0.079]} - 53 \text{ mm} [2.087] \quad L_2 = \frac{\text{lower rod}}{2} = \frac{2 \cdot \text{clearance} - 12\text{mm}[0.472]}{2 [0.079]} + 53 \text{ mm} [2.087]$$

cutout outside the door center (rod length equal)

$$L_3 = \frac{2 \cdot \text{clearance} - 12\text{mm}[0.472]}{2[0.079]}$$



## 2-140 Profile-Cylinder DIN 18252



### Avantages

- **a)**: clip-in cam 8x45° adjustable. Key removable in closed position only.
- **b)**: spring-loaded clip-in cam. Dust-shutter.
- **c)**: cam has 90° stroke, **not** clip-in. Cam length is 12.2mm. Dust-shutter.
- **d)** clip-in cam. Dust-shutter.
- **e)**: spring-loaded clip-in cam.
- **f)**: cam **not** clip-in, 360° stroke.
- **g)**: radial pin tumbler cylinder, clip-in cam.
- **h)**: insert triangular 8, the first 4mm of the insert are free rotating. Spring-loaded clip-in cam.
- **i)**: Polyamide-plug with and without spring-loaded ball.

### Materials

- **a)**: brass, nickel plated
- **b), c), e) f) and g)**: zinc die, chrome plated  
**conical square e) and f): housing:** zinc die, chrome plated, **insert:** steel, chrome plated
- **i) and d)**: PA, black
- **h): housing:** zinc die, chrome plated, **insert:** stainless steel
- **Barrel cylinder:** zinc die
- **Dust-shutter:** stainless steel

### Notes

Versions b), c), d) and g) are supplied with 2, Version a) with 3 keys.



## Profile-cylinder with pin tumbler cylinder, DIN 18252, 8 x 45° adjustable

	Part Number	Latching type	Clip-in	Delivery Unit
a)	211-9003.00-00000	keyed alike	No	1 pc.
a)	211-9004.00-00000	keyed different	No	1 pc.

## Profile-cylinder with key cylinder

	<b>Part Number</b>	<b>Latching type</b>	<b>Closing stroke</b>	<b>Clip-in</b>	<b>Delivery Unit</b>
b)	211-9101.00-00000	keyed different		Yes	1 pc.
b)	211-9102.00-00000	keyed alike DIRAK 1333		Yes	1 pc.
b)	511-9102.00-00000	keyed alike DS200		Yes	1 pc.
c)	211-9301.00-00000	keyed different	90°	No	1 pc.
c)	211-9302.00-00000	keyed alike DIRAK 1333	90°	No	1 pc.
c)	511-9302.00-00000	keyed alike DS200	90°	No	1 pc.

## Profile-cylinder PA with key cylinder

	<b>Part Number</b>	<b>Latching type</b>	<b>Clip-in</b>	<b>Delivery Unit</b>
d)	211-9113.00-00000	keyed alike DIRAK 1333	Yes	1 pc.
d)	211-9115.00-00000	keyed different (dual entry)	Yes	1 pc.

## Profile-cylinder with insert

	Part Number	Insert	Closing stroke	Clip-in	Delivery Unit
e)	211-9202.00-00000	Square 6mm		Yes	1 pc.
e)	211-9203.00-00000	Square 7mm		Yes	1 pc.
e)	211-9204.00-00000	Square 8mm		Yes	1 pc.
e)	211-9205.00-00000	Square 8mm, slotted		Yes	1 pc.
e)	211-9206.00-00000	Triangular 7mm		Yes	1 pc.
e)	211-9207.00-00000	Triangular 8mm		Yes	1 pc.
e)	211-9208.00-00000	Double bit 3mm pin		Yes	1 pc.
e)	211-9209.00-00000	Double bit 5mm pin		Yes	1 pc.
e)	211-9210.00-00000	Triangular 6.5mm CNOMO		Yes	1 pc.
e)	211-9211.00-00000	Socket hex. 10mm		Yes	1 pc.
e)	211-9212.00-00000	Slotted 2x4mm		Yes	1 pc.
e)	211-9213.00-00000	Daimler Benz type		Yes	1 pc.
e)	211-9214.00-00000	Crown type		Yes	1 pc.
e)	211-9215.00-00000	Square socket 6mm		Yes	1 pc.
e)	211-9216.00-00000	Square socket 7mm		Yes	1 pc.
e)	211-9217.00-00000	Square socket 8mm		Yes	1 pc.
e)	211-9218.00-00000	Slotted recessed coinproof		Yes	1 pc.
e)	211-9219.00-00000	Half-round czech		Yes	1 pc.
e)	211-9220.00-00000	Hex. Belcore 7/16"		Yes	1 pc.
e)	211-9235.00-00000	Conical square 9mm		Yes	1 pc.
f)	211-9203.00-00001	Square 7mm	360°	No	1 pc.
f)	211-9204.00-00001	Square 8mm	360°	No	1 pc.
f)	211-9206.00-00001	Triangular 7mm	360°	No	1 pc.
f)	211-9207.00-00001	Triangular 8mm	360°	No	1 pc.
f)	211-9208.00-00001	Double bit 3mm pin	360°	No	1 pc.
f)	211-9209.00-00001	Double bit 5mm pin	360°	No	1 pc.
f)	211-9212.00-00001	Slotted 2x4mm	360°	No	1 pc.
f)	211-8057.00-00000	Conical square 9mm	360°	No	1 pc.

## Profile-cylinder with radial pin tumbler cylinder

	<b>Part Number</b>	<b>Locking</b>	<b>Latching type</b>	<b>Clip-in</b>	<b>Delivery Unit</b>
g)	211-9106.00-00000	Push button	keyed different	Yes	1 pc.
g)	211-9107.00-00000	Push button	keyed alike DIRAK D0205	Yes	1 pc.

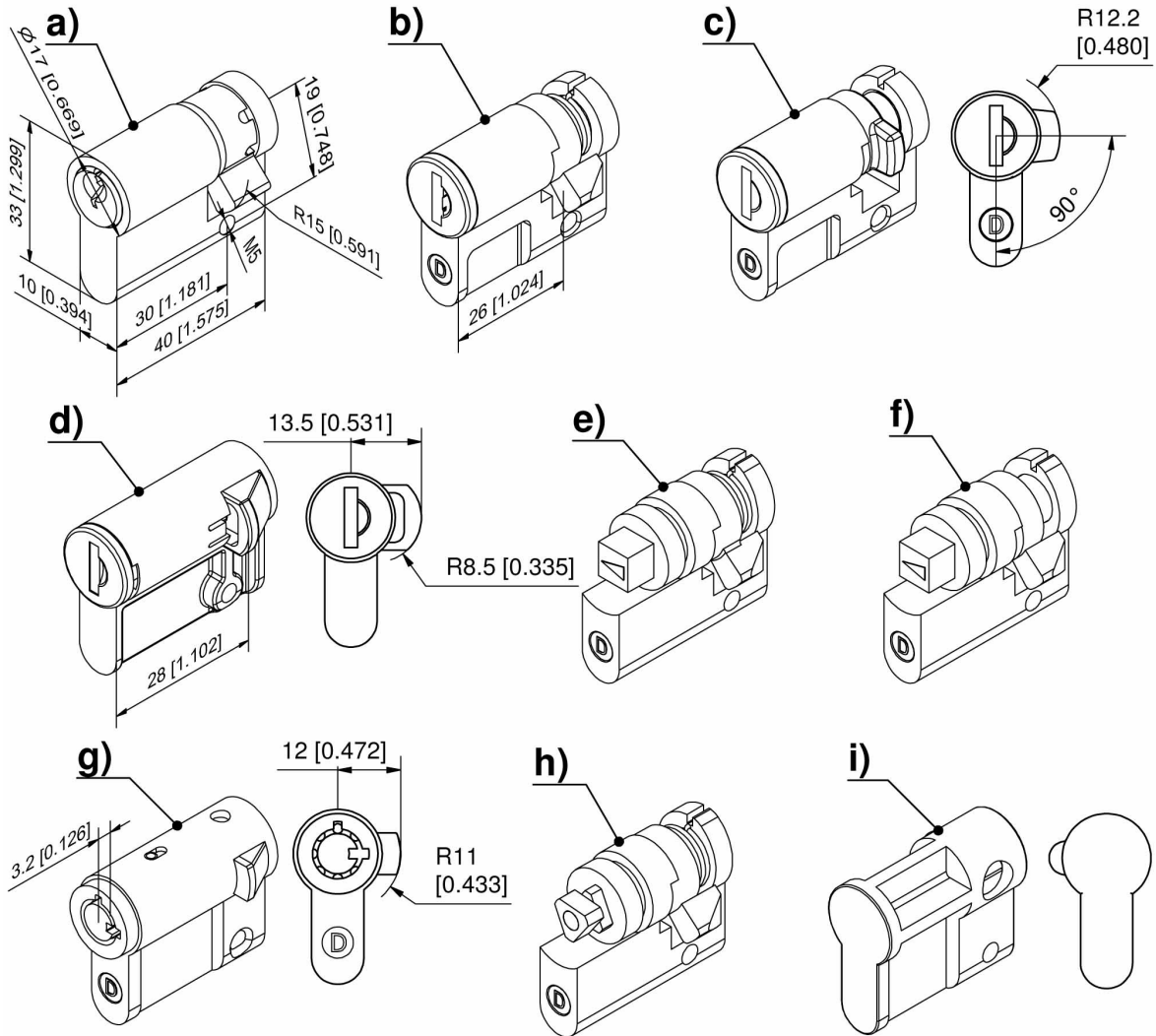
## Profile-cylinder with security insert

	<b>Part Number</b>	<b>Insert</b>	<b>Clip-in</b>	<b>Delivery Unit</b>
h)	211-9244.00-00000	Security insert with free rotating 8mm triangular front part	Yes	1 pc.

## Profile-cylinder with blind plug

	<b>Part Number</b>	<b>Name</b>	<b>Clip-in</b>	<b>Delivery Unit</b>
i)	211-0401.03-00000	Blind plug without spring-loaded ball	No	1 pc.
i)	211-9201.00-00000	Blind plug with spring-loaded ball	Yes	1 pc.





# CLOSING THUMB 8-WAY ADJUSTABLE

211-9003.00-00000  
211-9004.00-00000

