



3-070 Swinghandle FS PrB



Avantages

- Swinghandle TRIMLINE for rod latch and flat rods.
- Locking stub included in handle-assembly.
- IP65 according to DIN EN 60529.
- RH / LH application.
- Grounding by grounding clip (optional).
- Key cylinders are supplied with 2 keys.

Materials

- **Swinghandle:** zinc die, chrome plated or black
- **Dish:** zinc die, chrome plated or black or PA, black
- **Padlock eye:** stainless steel
- **Cap:** PA, black
- **O-ring:** NBR

Notes

(S) Door-thickness 1.5 - 2.5mm
For Version for 3-point cam see product system 2-070.
Locking inserts must be ordered separately, see c).



Swinghandle zinc die, with key cylinder

	Part Number	Latching type	Surface handle	Surface dish	Installation type	Delivery Unit
a)	407-9001.00-00000	keyed alike DIRAK 1333	black	black	screw-on	1 pc.
a)	507-9001.00-00000	keyed alike DS200	black	black	screw-on	1 pc.
a)	407-9002.00-00000	keyed different	black	black	screw-on	1 pc.
a)	407-9005.00-00000	keyed alike DIRAK 1333	chrome plated	chrome plated	screw-on	1 pc.
a)	507-9005.00-00000	keyed alike DS200	chrome plated	chrome plated	screw-on	1 pc.
a)	407-9006.00-00000	keyed different	chrome plated	chrome plated	screw-on	1 pc.
a)	407-9009.00-00000	keyed alike DIRAK 1333	chrome plated	black	screw-on	1 pc.
a)	507-9009.00-00000	keyed alike DS200	chrome plated	black	screw-on	1 pc.
a)	407-9010.00-00000	keyed different	chrome plated	black	screw-on	1 pc.
a)	407-9015.00-00000	keyed alike DIRAK 1333	black	chrome plated	screw-on	1 pc.
a)	507-9015.00-00000	keyed alike DS200	black	chrome plated	screw-on	1 pc.
a)	407-9016.00-00000	keyed different	black	chrome plated	screw-on	1 pc.

Swinghandle zinc die, dish PA, black, with key cylinder

	Part Number	Latching type	Surface handle	Surface dish	Installation type	Delivery Unit
a)	407-9021.00-00000	keyed alike DIRAK 1333	black	black	screw-on	1 pc.
a)	507-9021.00-00000	keyed alike DS200	black	black	screw-on	1 pc.
a)	407-9022.00-00000	keyed different	black	black	screw-on	1 pc.
a)	407-9025.00-00000	keyed alike DIRAK 1333	chrome plated	black	screw-on	1 pc.
a)	507-9025.00-00000	keyed alike DS200	chrome plated	black	screw-on	1 pc.
a)	407-9026.00-00000	keyed different	chrome plated	black	screw-on	1 pc.

Swinghandle zinc die, with key cylinder and padlock eye

	Part Number	Latching type	Surface handle	Surface dish	Installation type	Delivery Unit
b)	407-9033.00-00000	keyed alike DIRAK 1333	chrome plated	chrome plated	screw-on	1 pc.
b)	407-9034.00-00000	keyed different	chrome plated	chrome plated	screw-on	1 pc.
b)	407-9035.00-00000	keyed alike DIRAK 1333	black	black	screw-on	1 pc.
b)	407-9036.00-00000	keyed different	black	black	screw-on	1 pc.

Swinghandle zinc die for insert

	Part Number	Latching type	Surface handle	Surface dish	Installation type	Delivery Unit
c)	407-9101.00-00000	Insert	black	black	screw-on	1 pc.
c)	407-9103.00-00000	Insert	chrome plated	chrome plated	screw-on	1 pc.
c)	407-9105.00-00000	Insert	chrome plated	black	screw-on	1 pc.
c)	407-9107.00-00000	Insert	black	chrome plated	screw-on	1 pc.

Swinghandle zinc die for insert, with padlock eye

	Part Number	Latching type	Surface handle	Surface dish	Installation type	Delivery Unit
d)	407-9113.00-00000	Insert	chrome plated	chrome plated	screw-on	1 pc.
d)	407-9114.00-00000	Insert	black	black	screw-on	1 pc.
d)	407-9115.00-00000	Insert	black	chrome plated	screw-on	1 pc.
d)	407-9116.00-00000	Insert	chrome plated	black	screw-on	1 pc.

Swinghandle zinc die, dish PA for insert

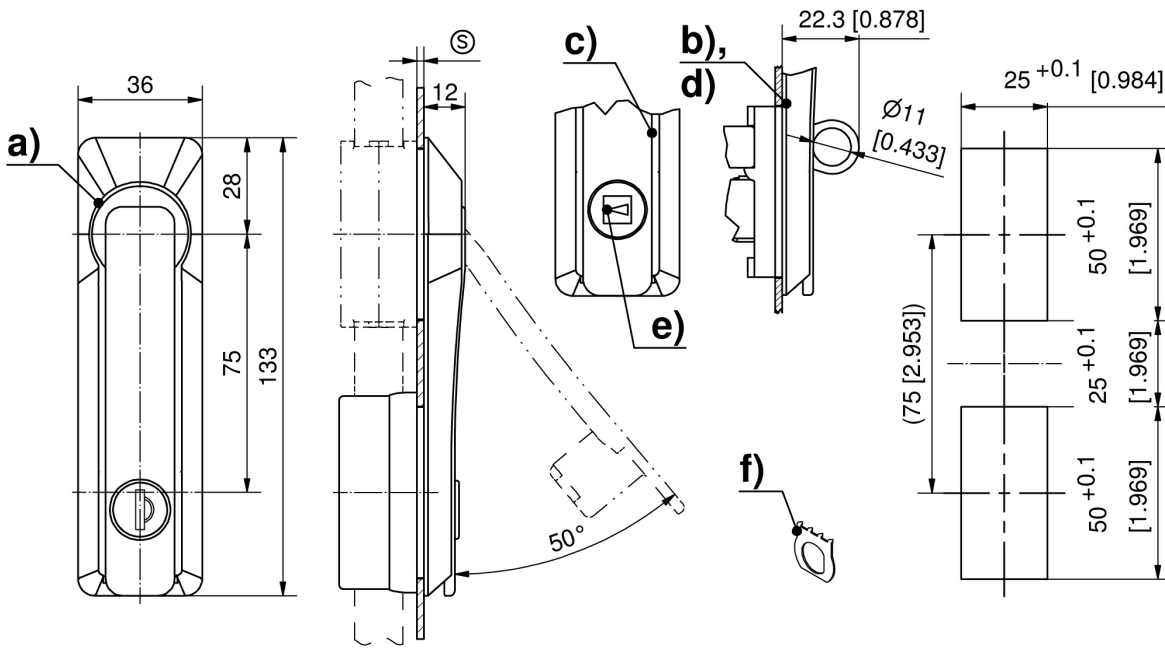
	Part Number	Latching type	Surface handle	Surface dish	Installation type	Delivery Unit
c)	407-9117.00-00000	Insert	black	black	screw-on	1 pc.
c)	407-9119.00-00000	Insert	chrome plated	black	screw-on	1 pc.

Swinghandle zinc die, dish PA for insert, with padlock eye

	Part Number	Latching type	Surface handle	Surface dish	Installation type	Delivery Unit
d)	407-9123.00-00000	Insert	black	black	screw-on	1 pc.
d)	407-9124.00-00000	Insert	chrome plated	black	screw-on	1 pc.

***** Accessories

- e) 2-141 **Inserts**
- f) 3-011 **Grounding Clip Stainless Steel**
- 208-9021.00-00000 **Rod latch**
- 208-9022.00-00000 **Rod latch**
- 3-075 **Rod Latch FS PrB**
- 3-160 **Flat Rod FS with Rollers**
- 3-910 **Rod Guide FS 23mm**
- 6-100 **Wrenches and Keys**
- 6-101 **Universal key**





2-141 Inserts



Avantages

- Inserts with spring washer for swinghandle see product system 2-070, 2-080.01, 2-080.02, 2-090.03, 3-070, 3-155.02 and 6-111.02.
- Insert sets consist of insert and spring washer.

Materials

- **Insert:** zinc die, chrome plated
- **Wave washer:** spring steel, zinc plated

Notes

Suitable keys see product system 6-100 and 6-101.
For further versions please contact DIRAK.



Inserts

	Part Number	Insert	Delivery Unit
a)	211-9501.00-00000	Square 6mm	1 pc.
b)	211-9502.00-00000	Square 7mm	1 pc.
c)	211-9503.00-00000	Square 8mm	1 pc.
d)	211-9504.00-00000	Square 8mm, slotted	1 pc.
e)	211-9505.00-00000	Triangular 6.5mm CNOMO	1 pc.
f)	211-9506.00-00000	Triangular 7mm	1 pc.
g)	211-9507.00-00000	Triangular 8mm	1 pc.
h)	211-9508.00-00000	Triangular 9mm EDF	1 pc.
i)	211-9509.00-00000	Double bit 3mm pin	1 pc.
k)	211-9510.00-00000	Double bit 5mm pin	1 pc.
l)	211-9511.00-00000	Socket hex. 6mm	1 pc.
m)	211-9512.00-00000	Socket hex. 10mm	1 pc.
n)	211-9513.00-00000	Daimler Benz type	1 pc.
o)	211-9514.00-00000	Slotted 2x4mm	1 pc.
p)	211-9515.00-00000	Slotted recessed coinproof	1 pc.
q)	211-9516.00-00000	Crown type	1 pc.
r)	211-9517.00-00000	Square socket 6mm	1 pc.
s)	211-9518.00-00000	Square socket 7mm	1 pc.
t)	211-9519.00-00000	Square socket 8mm	1 pc.
u)	211-9520.00-00000	Half-round czech	1 pc.

