



3-101 Escutcheons and Inserts



Avantages

- Compatible with rod latches for cutout A and C.
- Cutout PrA: IP65 according to DIN EN 60529 with o-rings d) and e).
- Cutout PrC, for use outside the seal: version b), b1) and c) with hook for easy installation.
- Variant a1) and b1) is in accordance with DIN 43668: the double-bit key can only be removed in locked position.
- Grounding by grounding clip (optional).
- Recessed label field 8 x 20.
- Escutcheons and rod latch affix together in the cutout.
- Mounting screws are part of the delivery.

Materials

- **Escutcheons:** PA, black
- **Inserts:** zinc die, chrome plated

Notes

Door-thickness 2.0 - 2.5mm
 Version a1) and b1) only for insert double bit h).
 Version c) only for insert FIAT k).
 1. insert
 2. locking disc
 3. serrated screw
 O-ring for escutcheon PrA please order 1 pc.
 Two-part lock cover see 3-135 and 3-136.



Escutcheons

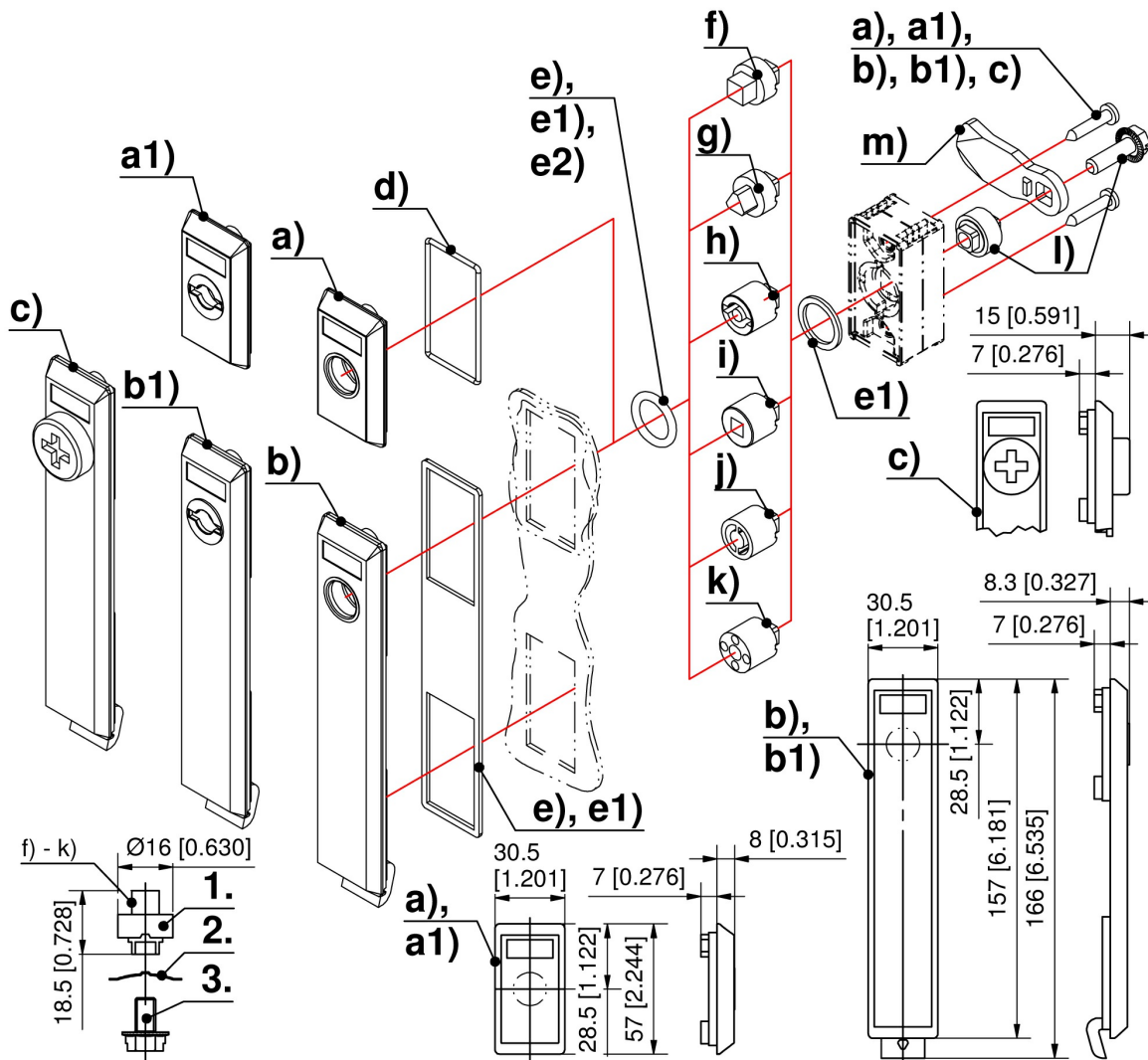
	Part Number	Name	Cutout	Installation type	Delivery Unit
a)	208-9301.00-00000	Escutcheon for triangular, square and Daimler Benz	PrA	screwed	1 pc.
a1)	208-9302.00-00000	Escutcheon for Double bit	PrA	screwed	1 pc.
b)	208-9501.00-00000	Escutcheon for triangular, square and Daimler Benz	PrC	screwed with hook	1 pc.
b1)	208-9502.00-00000	Escutcheon for Double bit	PrC	screwed with hook	1 pc.
c)	208-9503.00-00000	Escutcheon, FIAT Type	PrC	screwed with hook	1 pc.

Inserts

	Part Number	Insert	Delivery Unit
f)	208-9201.00-00000	Square 6mm	1 pc.
f1)	208-9202.00-00000	Square 7mm	1 pc.
f2)	208-9203.00-00000	Square 8mm	1 pc.
g)	208-9204.00-00000	Triangular 7mm	1 pc.
g1)	208-9205.00-00000	Triangular 8mm	1 pc.
g2)	208-9217.00-00000	Triangular 6.5mm CNOMO	1 pc.
h)	208-9210.00-00000	Double bit 3mm pin	1 pc.
h1)	208-9207.00-00000	Double bit 5mm pin	1 pc.
h2)	208-9206.00-00000	Double bit 3mm with stainless steel core	1 pc.
i)	208-9212.00-00000	Square socket 6mm	1 pc.
j)	208-9208.00-00000	Daimler Benz type	1 pc.
k)	208-9209.00-00000	FIAT type	1 pc.

* Accessories

- to a) 3-100 Rod Latch RS/FS PrA
- to b) 3-130 Rod Latch FS PrC
- + c)
- to b) 3-170 Rod Latch for Multi-Point Locking FS PrC
- + c)
- d) 208-1802.00-00000 O-ring 39.45 x 1.78mm
- e) 208-1801.00-00000 O-ring 16 x 3.0mm
- e1) 209-9008.00-00000 Sealing kit IP65 for door-thickness 2mm (2-parts)
- e2) 209-9009.00-00000 Sealing kit IP65 for 2.5mm door-thickness (3-parts)
- l) 3-163 Cam Adapter Zinc Die
- m) 1-102 Cams L35/45 Steel
- 3-011 Grounding Clip Stainless Steel
- 6-100 Wrenches and Keys





3-135 Escutcheon for Rod Latch PrA



Avantages

- Compatible with the rod latch system for cutout A, B and C.
- By using the extension pieces the escutcheon PrA can also be used for cutouts PrB and PrC.
- Polyamide - insert version, zinc die cast - insert and padlock version.
- IP65 according to DIN EN 60529 (in combination with extensions IP54).
- Grounding by grounding clip (optional).
- The escutcheon is secured into the cutout with the rod latch.

Materials

- a)
- **Escutcheon:** PA, black
- b)
- **Escutcheon for padlock:** zinc die, black

Notes

- Door-thickness 1.5 - 2.5mm
- b) Maximum diameter of the shackle - Ø10 mm.

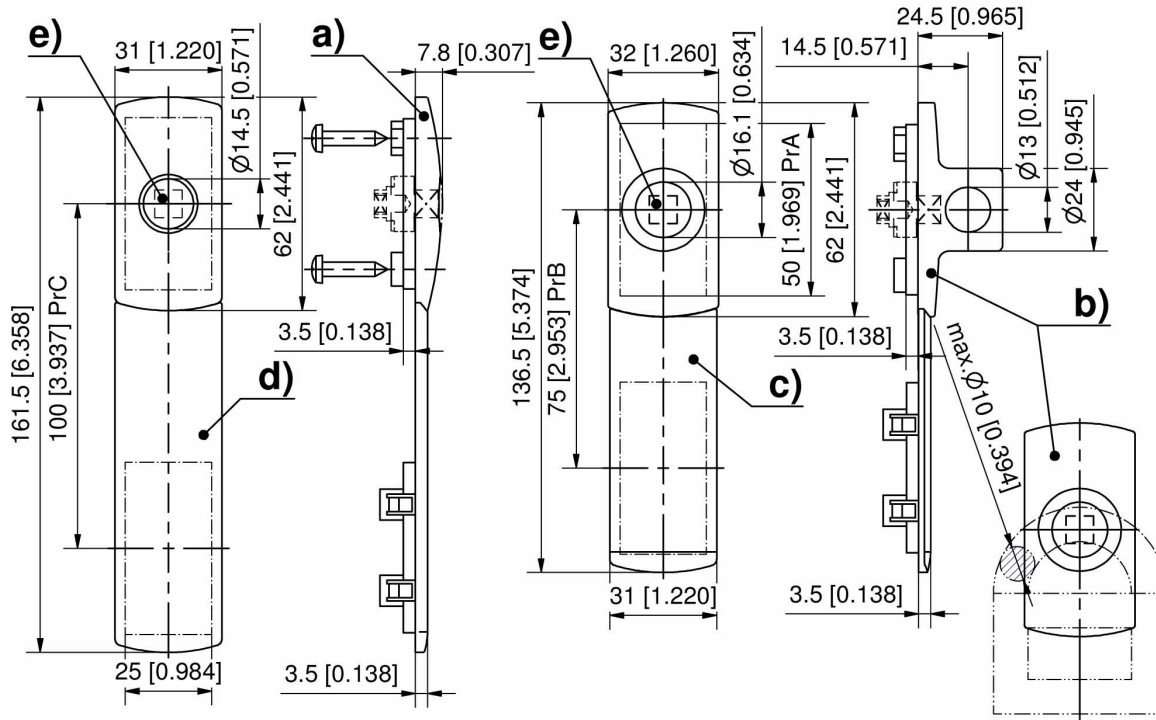


Escutcheon

	Part Number	Name	Material	Fastening type	Delivery Unit
a)	208-9305.00-00000	Escutcheon	PA	screw-on	1 pc.
b)	208-9312.00-00000	Escutcheon for padlock	zinc die	screw-on	1 pc.

* Accessories

- c) 208-0523.03-00000 **Extension for cutout B**
- d) 208-0522.03-00000 **Extension for cutout C**
- e) 3-101 **Escutcheons and Inserts**
- 209-4003.00-00000 **O-ring**
- 3-100 **Rod Latch RS/FS PrA**
- 3-011 **Grounding Clip Stainless Steel**





3-136 Cutout-Cover PrA / PrB / PrC



Avantages

- Tool-less installation.
- Cutout-cover c) PrA for doors / double doors with same cutout.
- Extensions a) and b) for cutout PrB and PrC.
- For sheet thicknesses from 1.5 to 3mm.
- IP54 according to DIN EN 60529 (optional).

Materials

- **Cutout-cover and escutcheon:** PA, black

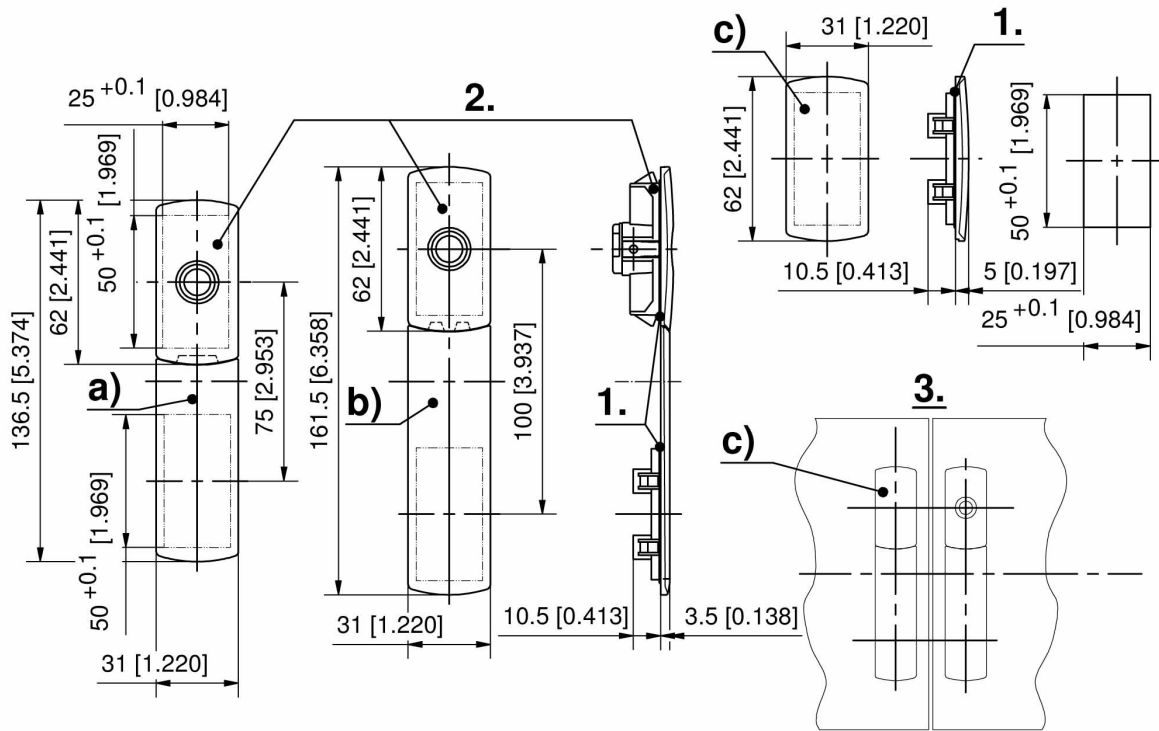
Notes

- Door-thickness 1.5 - 2.5mm
1. o-ring
 2. e.g.: 1-100DST
1-099
3-135
 3. example of application for double doors with equal cutouts



Cutout-cover

	Part Number	Name	Installation type	Delivery Unit
a)	208-0523.03-00000	Extension for cutout B	tool-less	1 pc.
b)	208-0522.03-00000	Extension for cutout C	tool-less	1 pc.
c)	208-0526.52-00000	Cover for cutout A	tool-less	1 pc.





7-034 Escutcheon and Inserts PrA / PrC Stainless Steel



Avantages

- a) lock cover compatible with rod latch cutout A.
- a1) lock cover compatible with rod latch cutout C.
- Lock covers are fixed into the cutout together with the rod latch.
- Version for cutout C is secured in both upper and lower cutout (mounting screws are part of the delivery).
- IP65 according to DIN EN 60529 with sealing kit for cutout A or C.

Materials

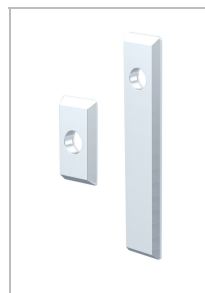
- **Escutcheons:** AISI 316
- **Inserts:** AISI 316 or AISI 303

Notes

Sealing kit for lock cover PrA
= 209-9010.00-00000

Sealing kit for lock cover PrC
= 209-9011.00-00000

Door-thickness 1.5 - 2.5mm
Actuation of the rod latch with inserts d)
- d4).



Escutcheons

	Part Number	Version	Cutout	Installation type	Delivery Unit
a)	208-9304.00-00000		PrA	screwed	1 pc.
a1)	208-9504.00-00000		PrC	screwed	1 pc.
a2)	208-9310.00-00000	for conical square insert 9mm	PrA	screwed	1 pc.

Inserts

	Part Number	Insert	Material	Delivery Unit
d)	208-9218.00-00000	Square 7mm	AISI 303	1 pc.
d1)	208-9219.00-00000	Square 8mm	AISI 303	1 pc.
d2)	208-9220.00-00000	Double bit 3mm pin	AISI 316	1 pc.
d3)	208-9221.00-00000	Double bit 5mm pin	AISI 316	1 pc.
d4)	208-9222.00-00000	Triangular 7mm	AISI 303	1 pc.
d5)	208-9223.00-00000	Conical square 9mm	AISI 316	1 pc.

Function



extension

209-9010.00-00000 **Sealing Kit Cutout A**

209-9011.00-00000 **Sealing Kit Cutout C**



Accessories

to a) 7-030 **Rod Latch RS/FS PrA Stainless Steel**

to a1) 7-040 **Rod Latch FS PrC Stainless Steel**

e) 208-9406.00-00000 **Cam adapter with hex. head screw M6x25 + serrated lock washer**

f) 7-105 **Cams L35/45 Stainless Steel**

3-011 **Grounding Clip Stainless Steel**

6-100 **Wrenches and Keys**

6-105 **Keys for the Railway Sector**

