



3-163 Cam Adapter Zinc Die



Avantages

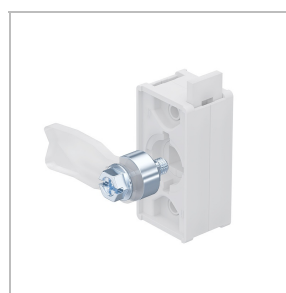
- Cam adapter for rod latch systems.

Materials

- **Cam adapter:** zinc die, untreated

Notes

1. rod latch
2. escutcheon / swinghandle

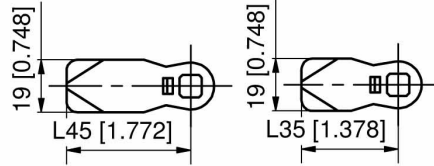
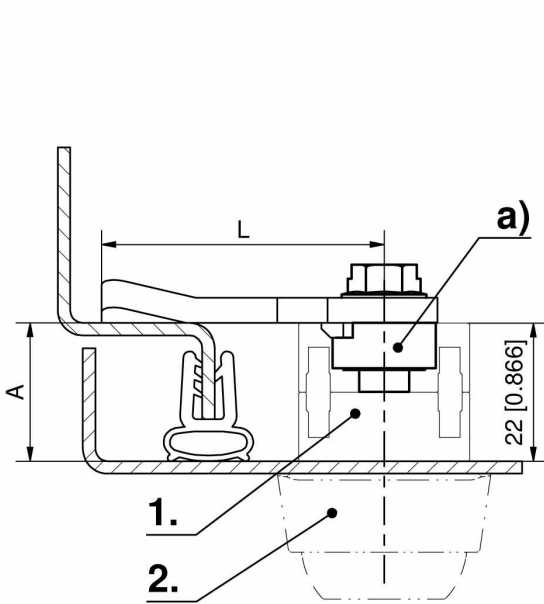


Cam adapter

	Part Number	Name	suitable for product system	Delivery Unit
a)	208-9403.00-00000	Cam adapter with serrated screw M6x20	3-070/3-100/3-130/3-132.01/3-165	1 pc.
a)	208-9409.00-00000	Cam adapter with serrated screw M5x20	3-400/3-400E	1 pc.

1-102 Cams L35/45 Steel

7-105 Cams L35/45 Stainless Steel



Size A in mm [inch]	Part No.	Part No.
22 [0.866]	200-0418	200-0618
24 [0.945]	200-0420	200-0620
26 [1.024]	200-0422	200-0622
28 [1.102]	200-0424	200-0624
29 [1.142]	200-0425	200-0625
30 [1.181]	200-0426	200-0626
32 [1.260]	200-0428	200-0628
34 [1.339]	200-0430	200-0630
36 [1.417]	200-0432	-
38 [1.496]	200-0434	-
39 [1.535]	200-0435	200-0635
40 [1.575]	200-0436	-
42 [1.654]	200-0438	200-0638
44 [1.732]	200-0440	200-0640
46 [1.811]	200-0442	200-0642
48 [1.890]	200-0444	200-0644
49 [1.929]	200-0445	-
51 [2.008]	200-0447	-
54 [2.126]	200-0450	-
57 [2.244]	200-0453	-
59 [2.323]	200-0455	-