



3-400 Swinghandle base PrC



Avantages

- Tool-less assembly.
- Tool-less pre-installation, self-locking (clip-in) in sheet metal with thickness of 1.5 or 2.0mm.
- Independent of panel thickness up to 3mm.
- Closing with slam latch.
- Handle with lifting spring.
- For profile-cylinder with closing position 6 o'clock.
- Tool-less replacement of the cylinder cover.
- IP65 according to DIN EN 60529 by sealing kit (optional).
- RH / LH application.

Materials

- **Handle, Dish, cap and cylinder dustcover:** PA, black
- **Padlock bolt:** zinc die, zinc plated
- **Shaft:** Grivory
- **Slam lock:** POM
- **Spring:** steel

Notes

(S) Door-thickness 1.5 - 2.0mm
f) LED module retrofittable
Padlock version not in combination with LED-Module useable
Rod latch and cam adapter is not combinable with negativly cranked cams.



Swinghandle PA, black for profile-cylinder

	Part Number	Version	Latching type	Padlock bolt	Installation type	Delivery Unit
a)	307-9101.00-00000		PHZ 40mm		screw-on	120 pcs.
b)	307-9102.00-00000		PHZ 40mm	Yes	screw-on	1 pc.
a)	307-9103.00-00000	with blind plug	self-locking		screw-on	120 pcs.
b)	307-9104.00-00000	with blind plug	self-locking	Yes	screw-on	1 pc.

Specific



accessories

- c) 3-410 **Carrier base**
- d) 307-9154.00-00000 **Rod latch adapter**
- e) 3-440 **Bearing Plate RS base**
- f) 307-9151.00-00000 **LED Module**
- f) 307-9152.00-00000 **LED Module**
- h) 208-9409.00-00000 **Cam adapter with serrated screw M5x20**

Function



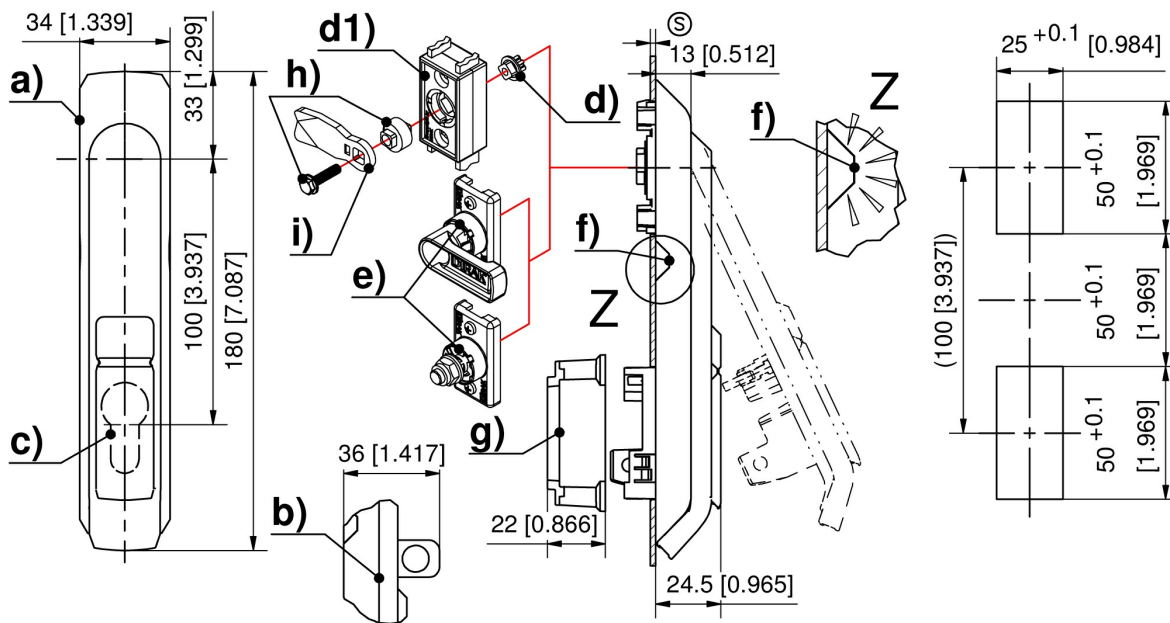
extension

- g) 307-9153.00-00000 **Sealing kit + Cap**



Accessories

- c) 211-9003.00-00000 **DIRAK Profile-cylinder**
- c) 211-9004.00-00000 **DIRAK Profile-cylinder**
- d1) 208-9002.00-00000 **Rod latch**
- d1) 208-9003.00-00000 **Rod latch**
- i) 1-102 **Cams L35/45 Steel**

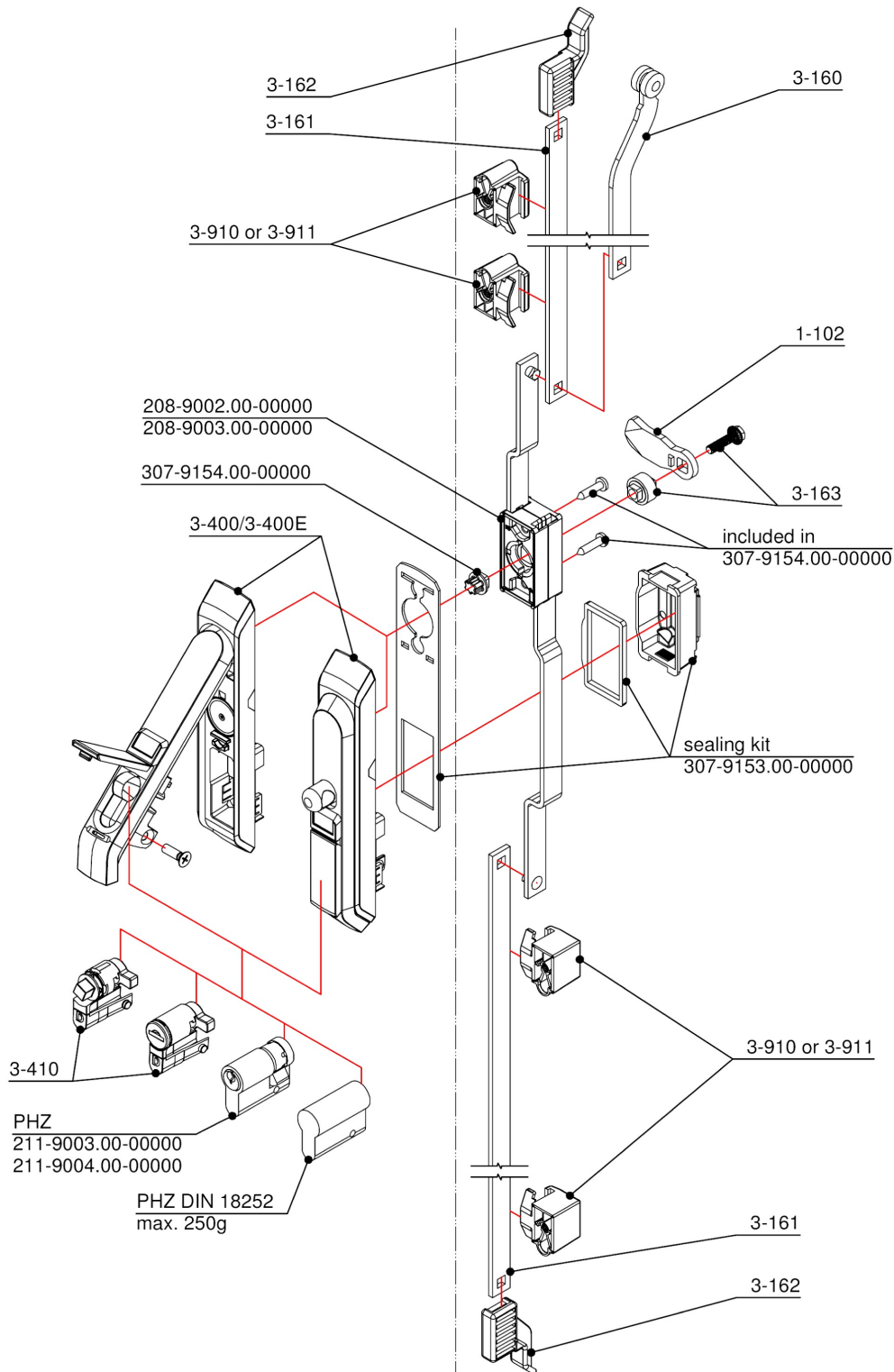




Swinghandle base

with rod latch for flat rod,
max. 3-point locking, inside the sealed area

[3-400/3-400E]



Swinghandle

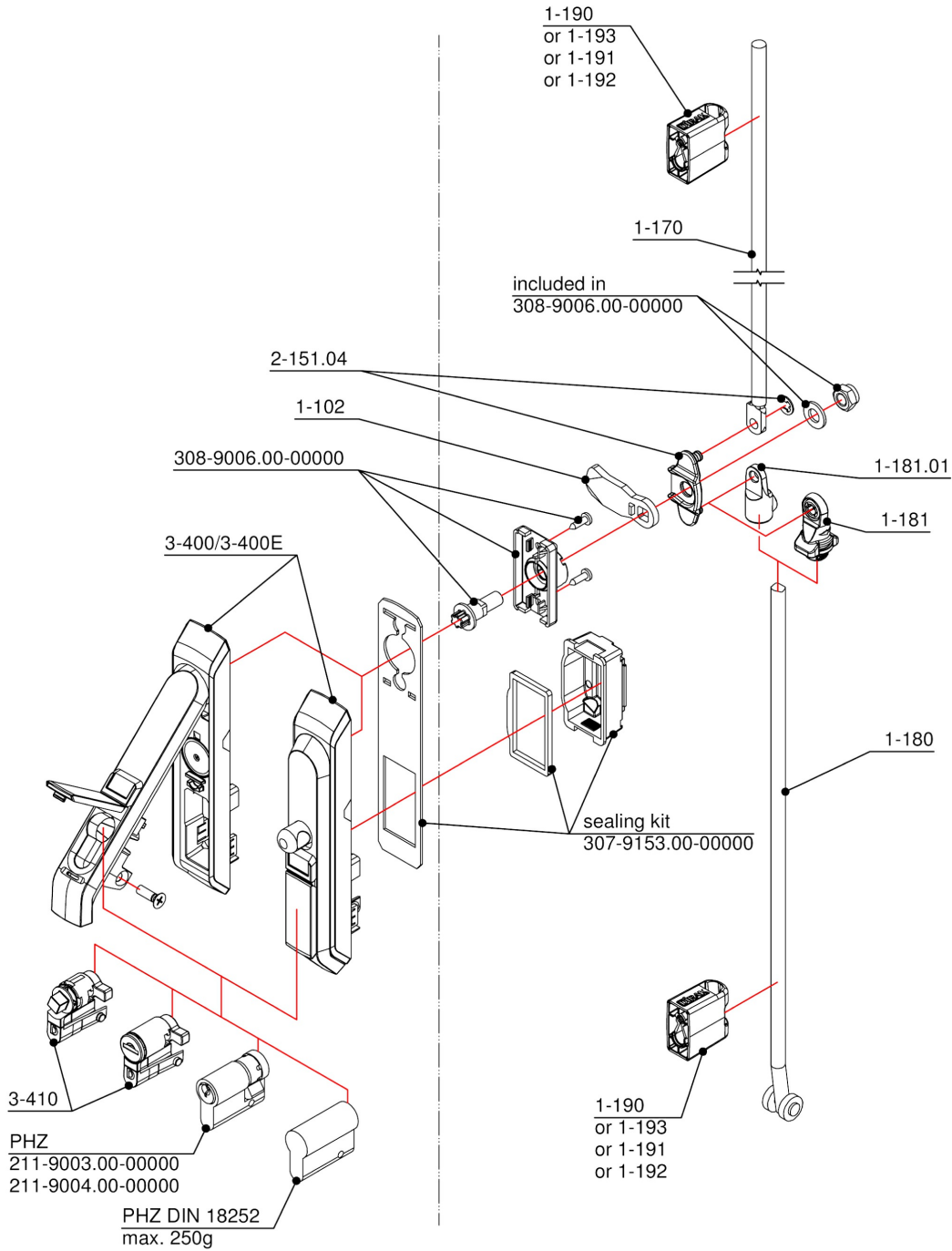
www.DIRAK.com



Swinghandle base

with 3-point cam and round rod,
max. 3-point locking, inside the sealed area

[3-400/3-400E]



Swinghandle

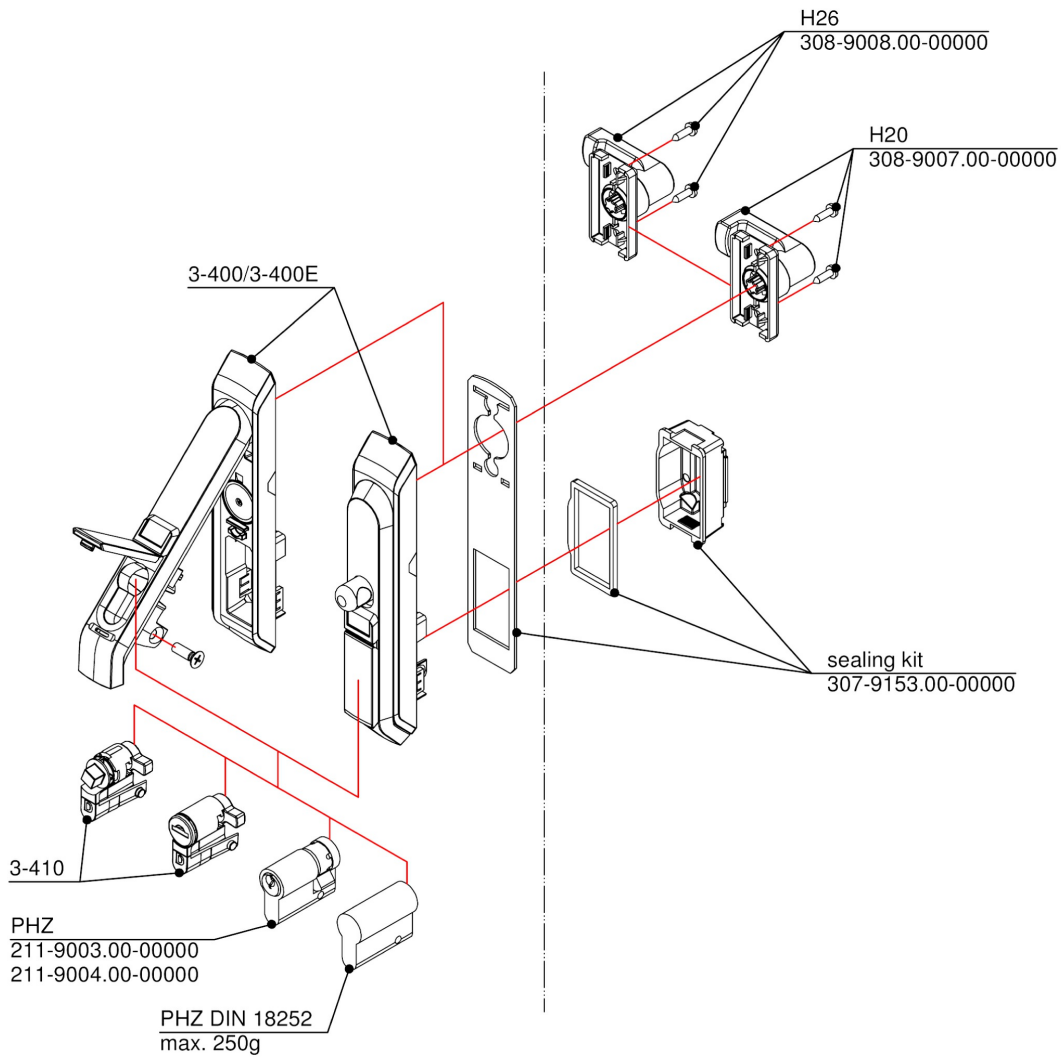
www.DIRAK.com



Swinghandle base

with cam,
1-point locking, inside the sealed area

[3-400/3-400E]



Swinghandle

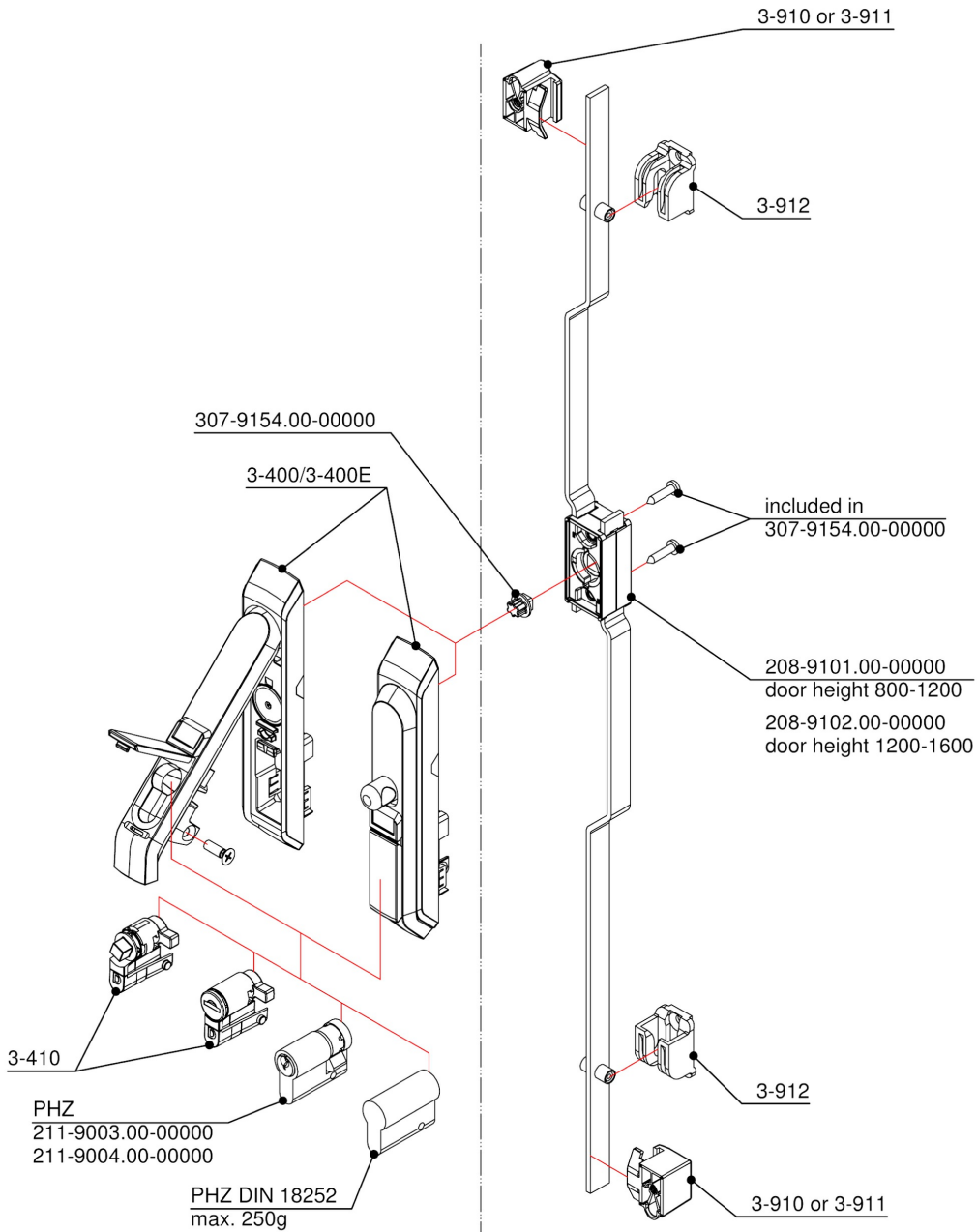
www.DIRAK.com



Swinghandle base

with rod latch and flat rod,
Multipoint locking, outside the sealed area, (Example 2-point)

[3-400/3-400E]

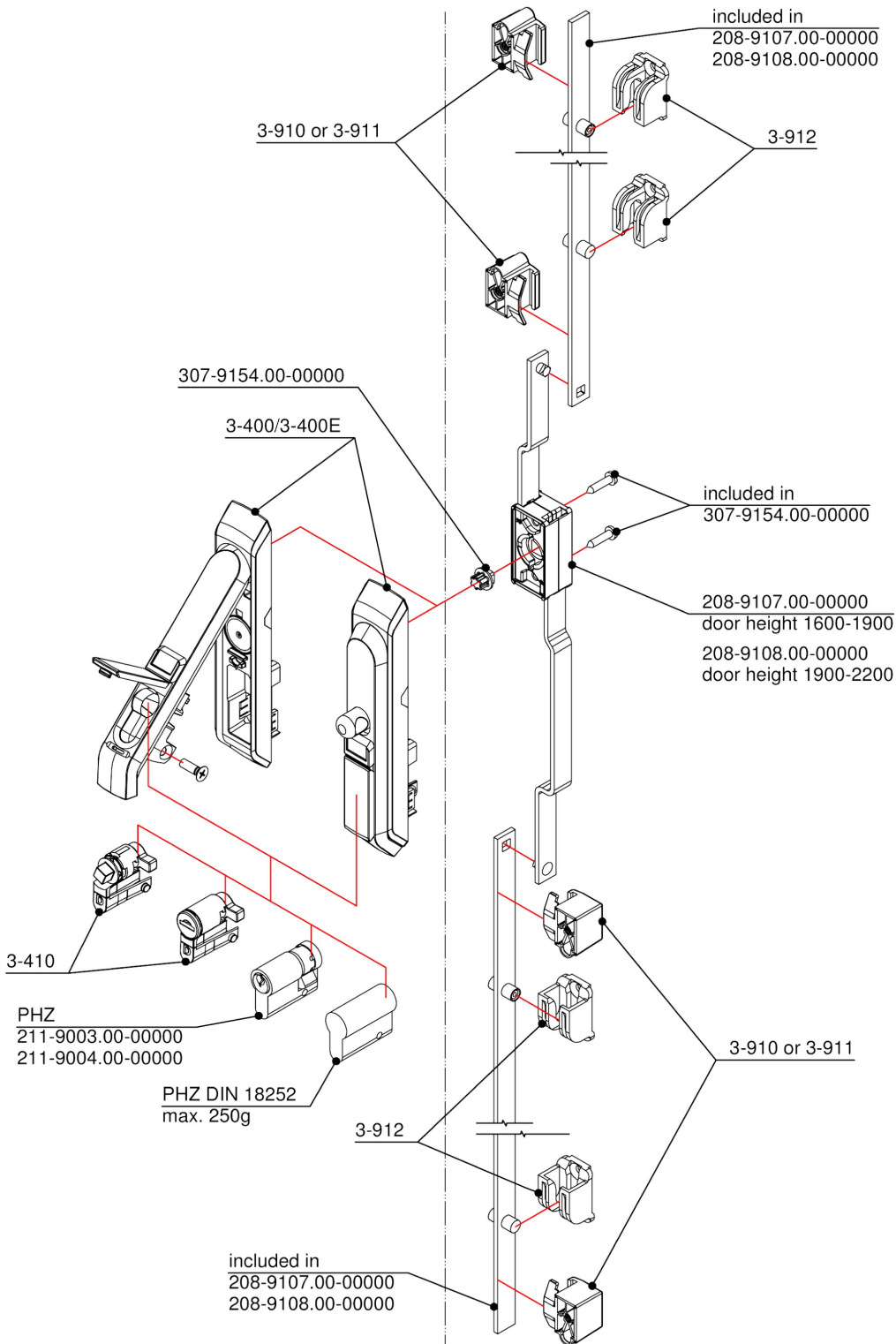




Swinghandle base

with rod latch and flat rod,
Multipoint locking, outside the sealed area, (Example 4-point)

[3-400/3-400E]



Swinghandle

www.DIRAK.com



3-410 Carrier base



Avantages

- Carrier for swinghandle base.
- With insert or key cylinder.
- Cam moves clockwise from 11 to 12 o'clock.
- Tool-less installation - simply snap into the swinghandle base cutout.

Materials

- **Carrier, insert, cam:** PA, black
- **Key cylinder:** zinc die, untreated

Notes

1. press the clamp together
2. push the carrier into the cutout until it audible clicks into place.
3. turn the insert clockwise up to the stop. Then the final position of the cam is reached.
4. to open the swinghandle the insert has to be turned clockwise by 15° only. The slam lock of the swinghandle always aligns the insert straight.

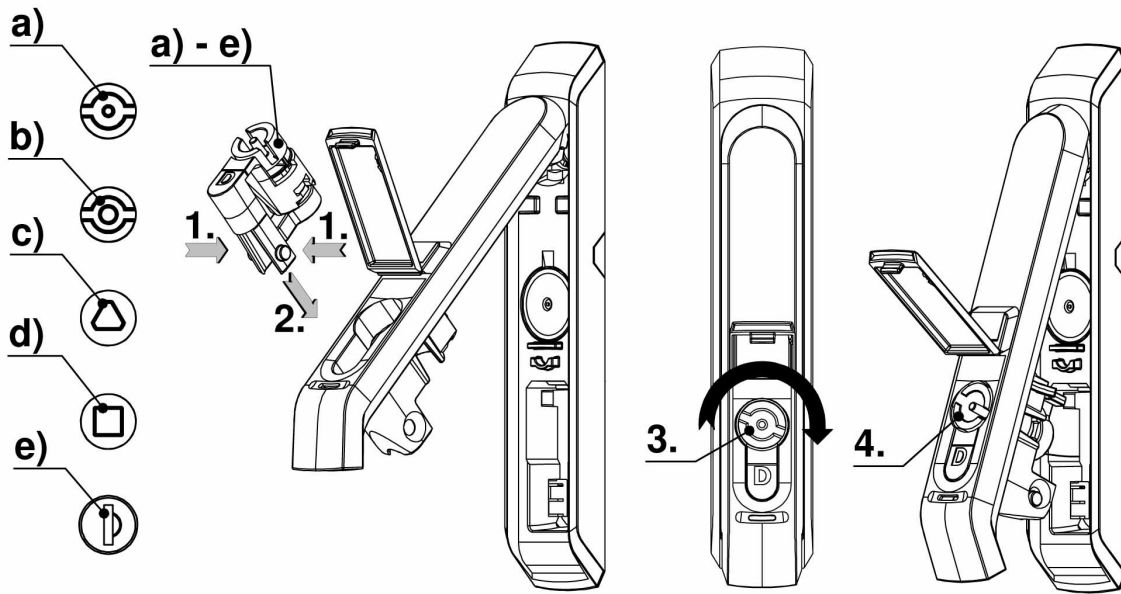


Carrier with insert

	Part Number	Insert	Installation type	Delivery Unit
a)	307-9501.00-00000	Double bit 3mm pin	tool-less	1 pc.
b)	307-9502.00-00000	Double bit 5mm pin	tool-less	1 pc.
c)	307-9503.00-00000	Triangular 8mm	tool-less	1 pc.
d)	307-9504.00-00000	Square 8mm	tool-less	1 pc.

Carrier with key cylinder

	Part Number	Latching type	Installation type	Delivery Unit
e)	307-9505.00-01333	keyed alike DIRAK 1333	tool-less	1 pc.
e)	307-9506.00-09999	keyed different	tool-less	1 pc.





3-440 Bearing Plate RS base



Avantages

- RH / LH application.
- Pre-installation onto swinghandle base by clip-on.
- Final fastening by screws (included).
- **a)** bearing plate for single-point latching system with PA cam (H20 / H26) for swinghandle base. Assembly of the cam by bayonet system clicks in audible.
- **b)** bearing plate with adapter for single- or multi-point locking system for standard cams and 3-point cam adapter. Cams will be secured by self-securing nut M8 onto the square (max. bolting torque 4Nm).

Materials

- **Bearing plate and cam:** PA, black
- **Adapter:** zinc die, untreated

Notes

Independent of panel thickness from 0.5 to 3mm.



Bearing plate

	Part Number	Version	Delivery Unit
a)	308-9007.00-00000	with cam H20	1 pc.
a)	308-9008.00-00000	with cam H26	1 pc.
b)	308-9006.00-00000	with adapter	1 pc.



Accessories

1-102 Cams L35/45 Steel

2-151 2-, 3- and 4-Point Cam Adapter

2-151.04 3-Point Cam Adapter

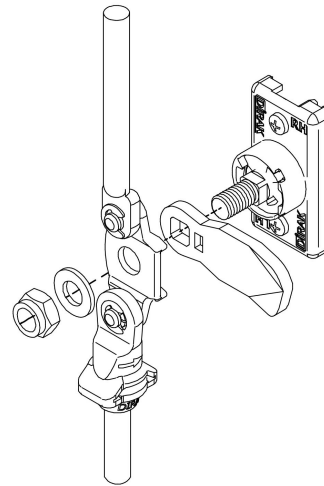
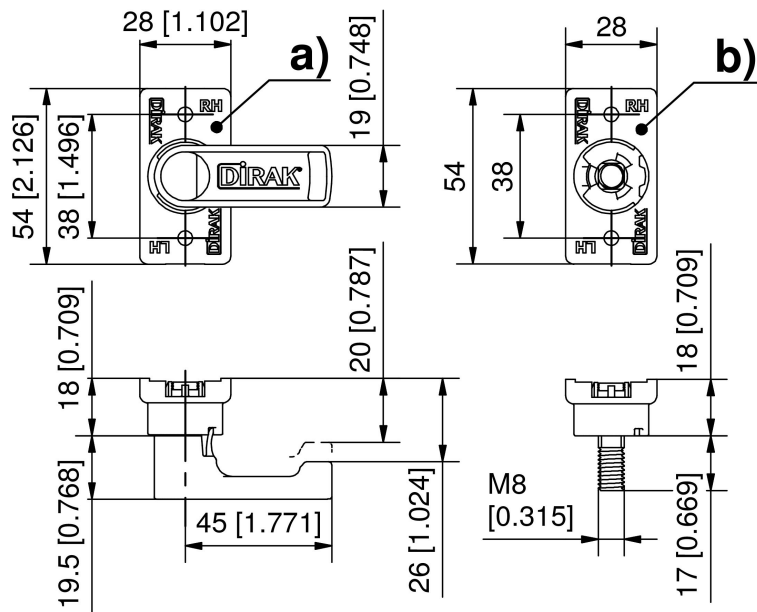
1-170 Round Rods with Eye

1-180 Round Rods for Adapter

1-181 Adapter for Round Rods Ø8mm PA

1-181.01 Adapter for Round Rods Ø8mm / Ø10mm Zinc Die

1-190 Rod Guides RS





3-400E Swinghandle base with LED Module PrC



Avantages

- LED module visualises the locking position and regular red flashing indicates open position.
- Tool-less assembly.
- Tool-less pre-installation, self-locking (clip-in) in sheet metal with thickness of 1.5 or 2.0mm.
- Independent of panel thickness up to 3mm.
- Closing with slam latch.
- Handle with lifting spring.
- For profile-cylinder with closing position 6 o'clock.
- Tool-less replacement of the cylinder cover.
- IP65 according to DIN EN 60529 by sealing kit (optional).
- RH / LH application.

Materials

- **Handle, dish, cap:** PA, black
- **Cylinder dustcover:** PA, black 7043
- **Shaft:** Grivory
- **Slam lock:** POM
- **LED carrier plate:** PMMA
- **Spring:** steel

Notes

(S) Door-thickness 1.5 - 2.0mm
1. flashing LED module
Battery CR2032 3V not included
Rod latch and cam adapter is not combinable with negatively cranked cams.



Swinghandle PA, black, for profile-cylinder with LED module

	Part Number	Version	Latching type	Installation type	Delivery Unit
a)	307-9105.00-00000		PHZ 40mm	screw-on	1 pc.
a)	307-9106.00-00000	with blind plug	self-locking	screw-on	1 pc.

Specific

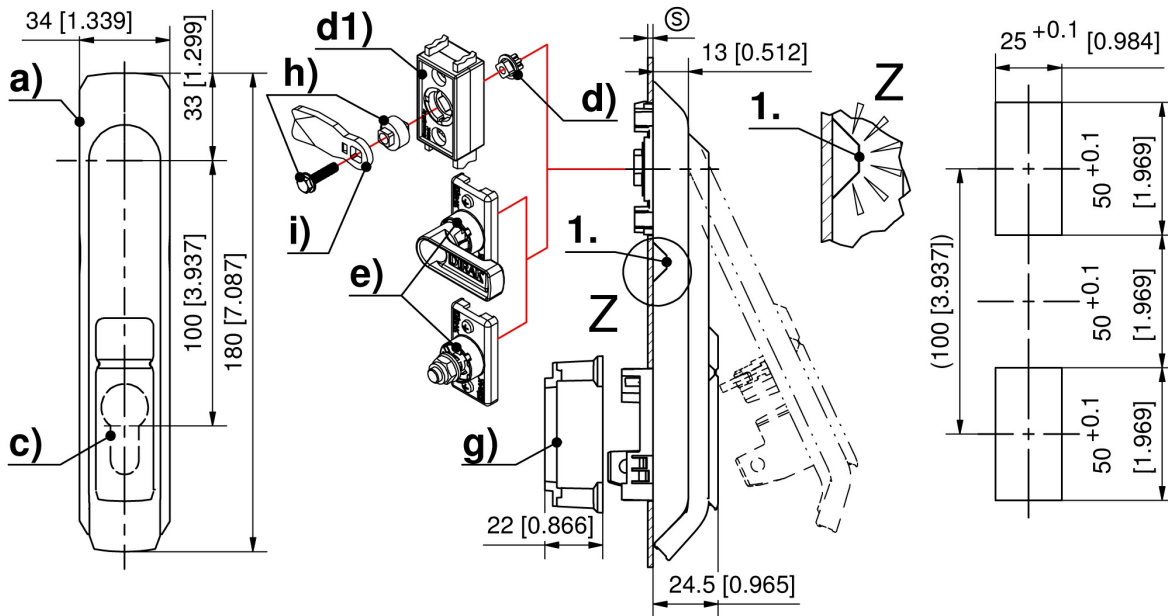
- * accessories
 - c) 3-410 **Carrier base**
 - d) 307-9154.00-00000 **Rod latch adapter**
 - e) 3-440 **Bearing Plate RS base**
 - h) 208-9409.00-00000 **Cam adapter with serrated screw M5x20**

Function

- + extension
 - g) 307-9153.00-00000 **Sealing kit + Cap**

* Accessories

- c) 211-9004.00-00000 **DIRAK Profile-cylinder**
- c) 211-9003.00-00000 **DIRAK Profile-cylinder**
- d1) 208-9003.00-00000 **Rod latch**
- d1) 208-9002.00-00000 **Rod latch**
- i) 1-102 **Cams L35/45 Steel**

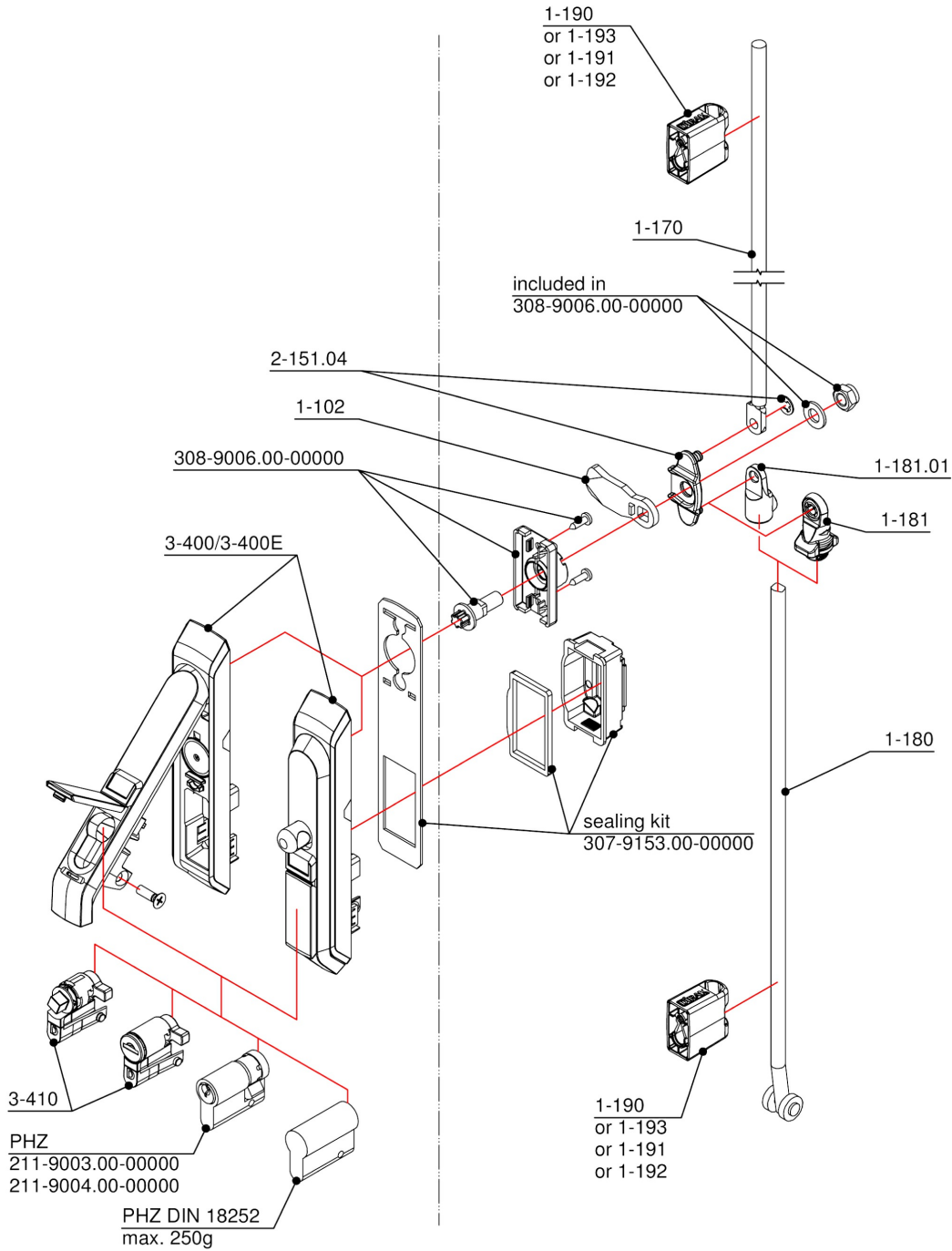




Swinghandle base

with 3-point cam and round rod,
max. 3-point locking, inside the sealed area

[3-400/3-400E]



Swinghandle

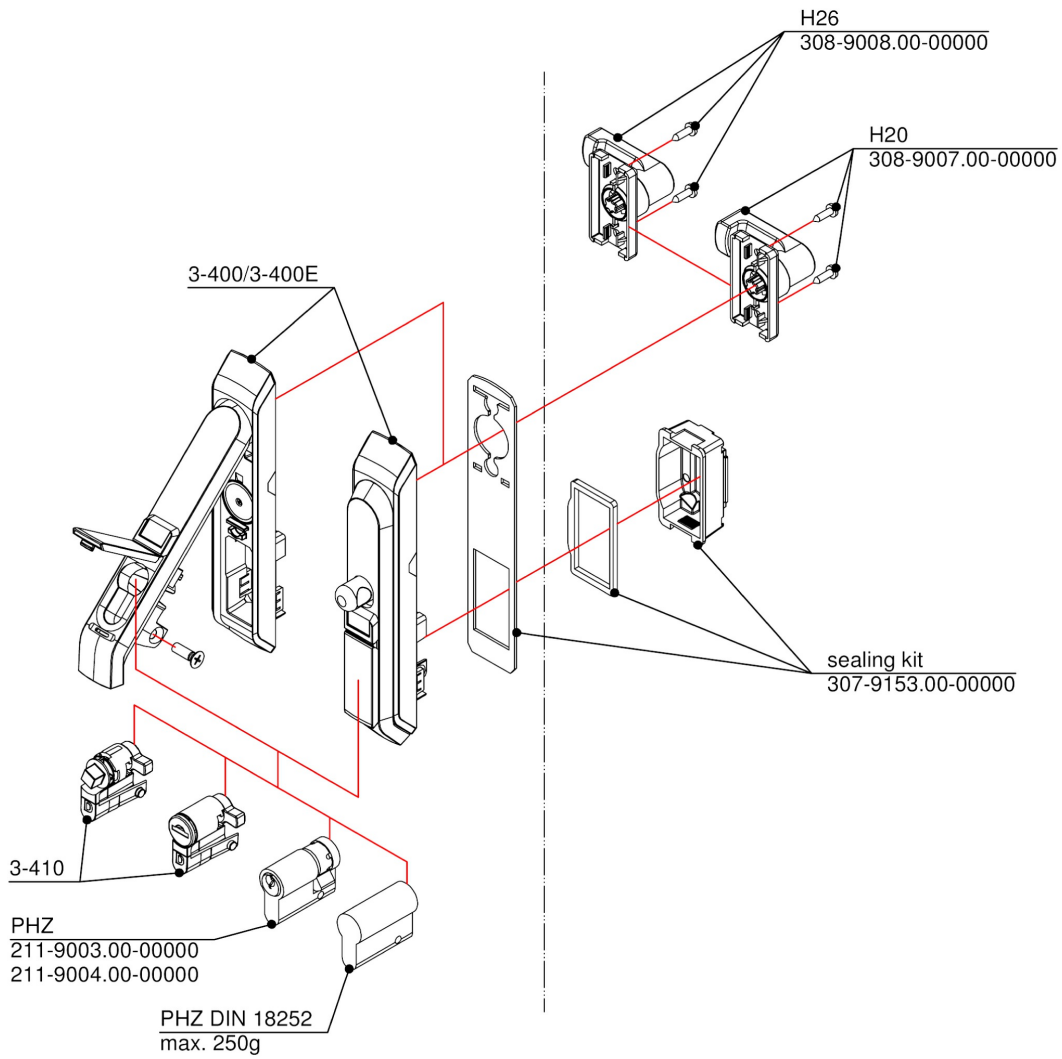
www.DIRAK.com



Swinghandle base

with cam,
1-point locking, inside the sealed area

[3-400/3-400E]



Swinghandle

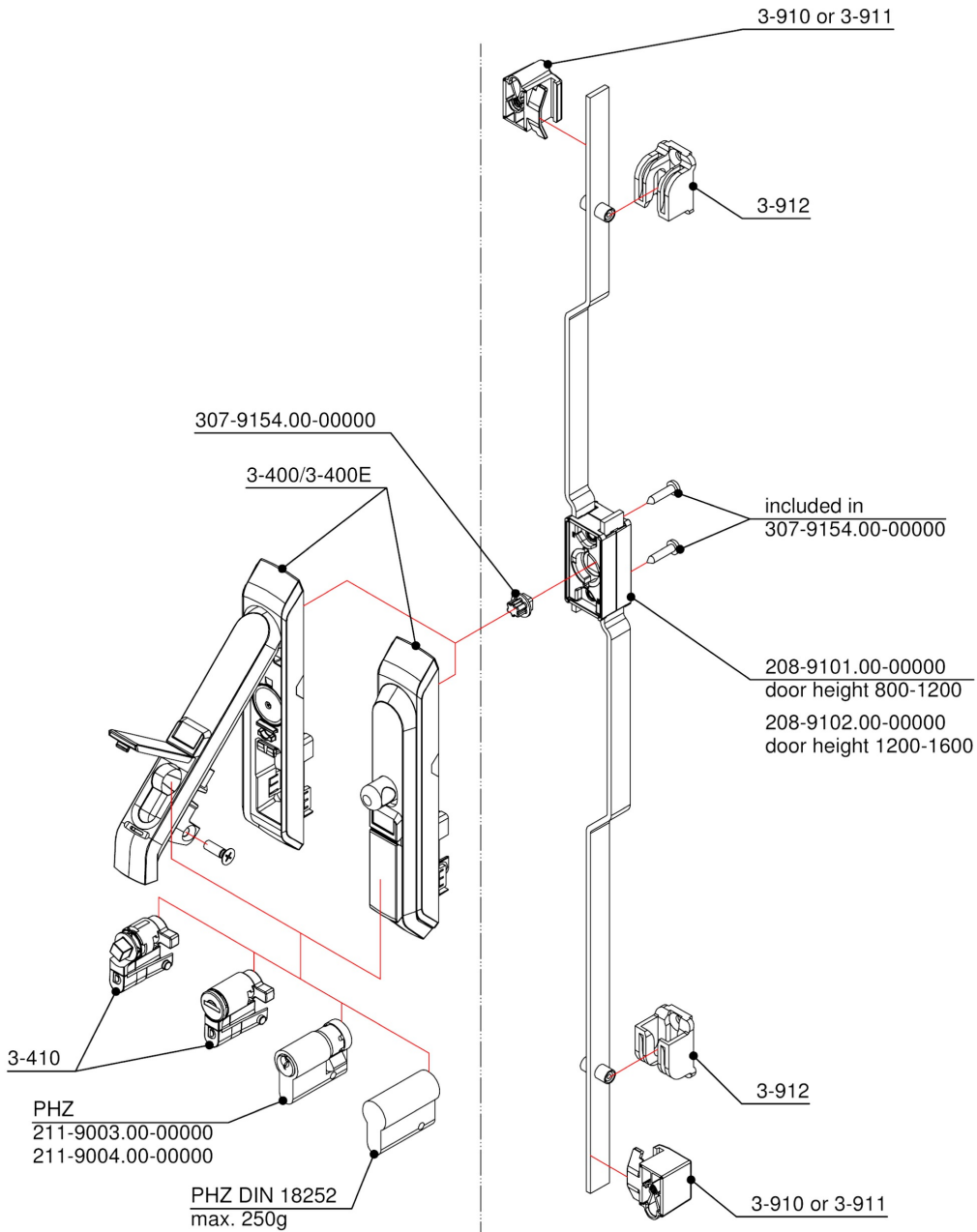
www.DIRAK.com



Swinghandle base

with rod latch and flat rod,
Multipoint locking, outside the sealed area, (Example 2-point)

[3-400/3-400E]



Swinghandle

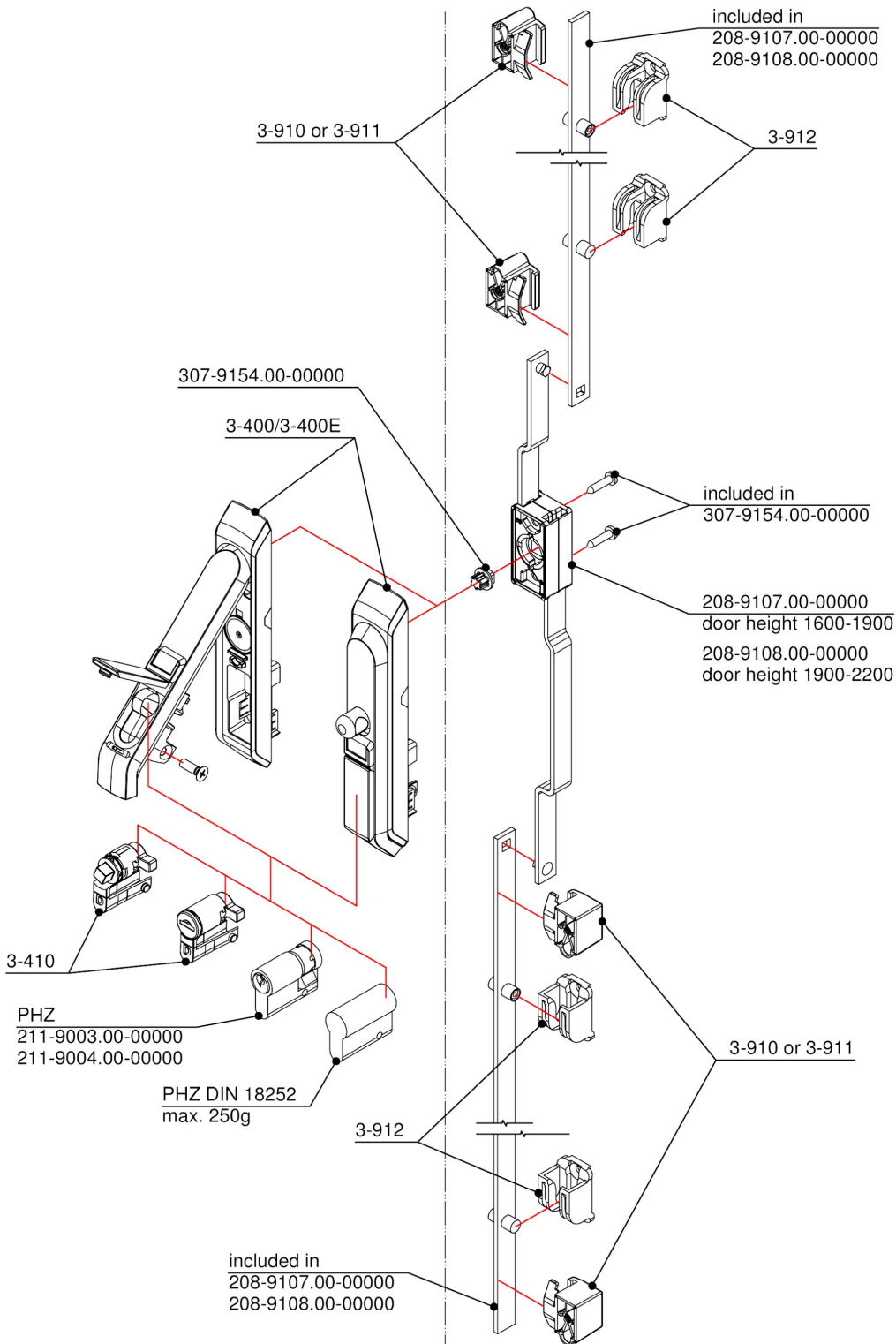
www.DIRAK.com



Swinghandle base

with rod latch and flat rod,
Multipoint locking, outside the sealed area, (Example 4-point)

[3-400/3-400E]



Swinghandle

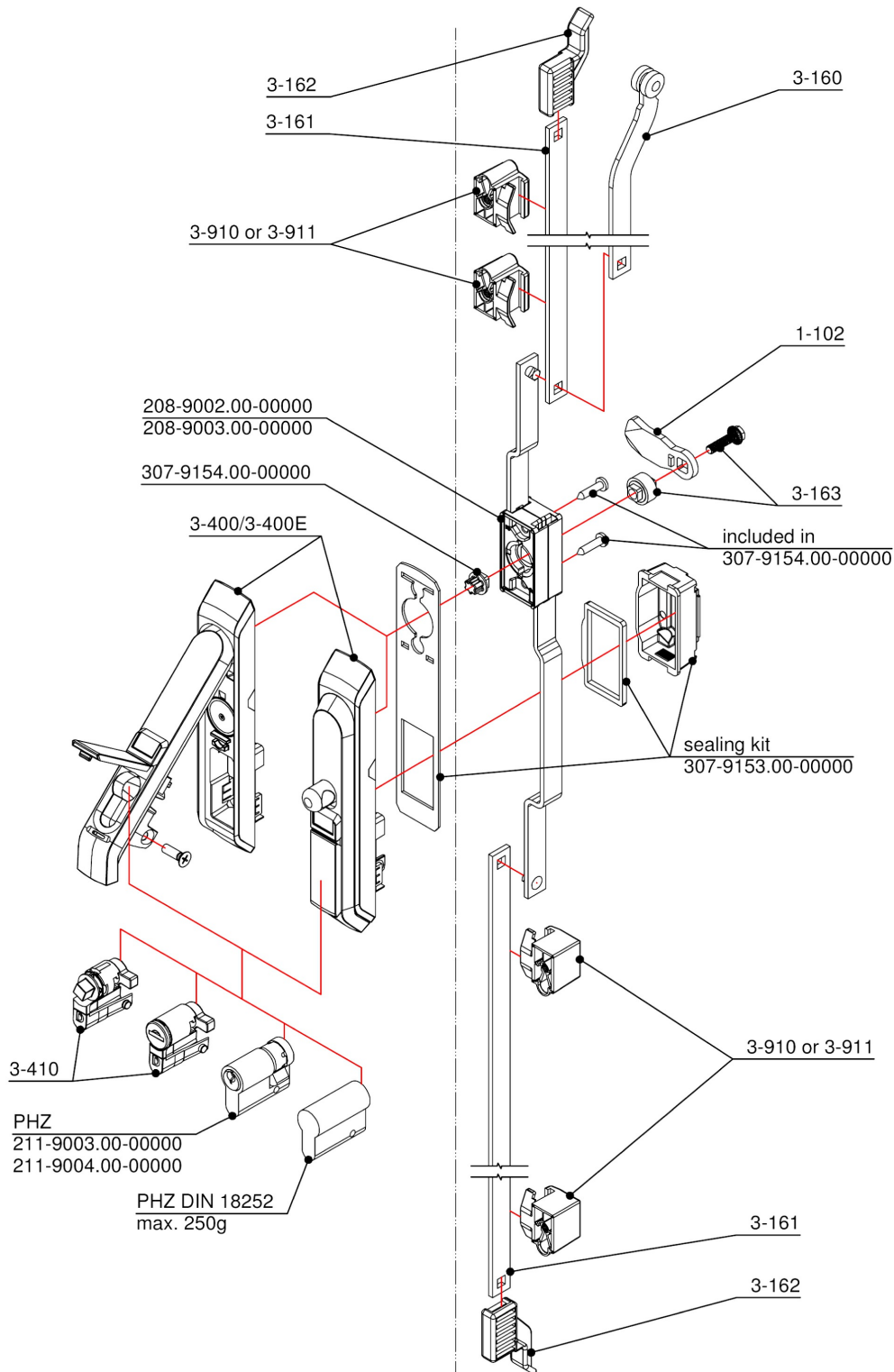
www.DIRAK.com



Swinghandle base

with rod latch for flat rod,
max. 3-point locking, inside the sealed area

[3-400/3-400E]



Swinghandle

www.DIRAK.com