



4-272 Hinge 76x60 Pr01 270°



Avantages

- Screw-on hinge.
- For nested doors.
- Hinge visible.
- RH / LH application.
- 270° Opening angle.
- Allowing application around corner.

Materials

- **Hinge halves:** zinc die, blasted chrome plated or black
- **Pin:** stainless steel

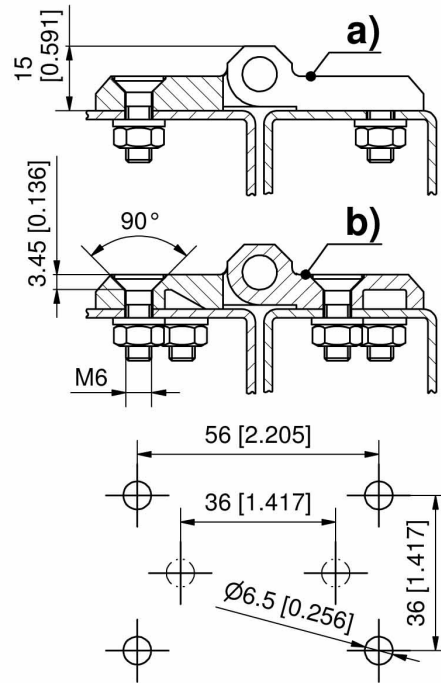
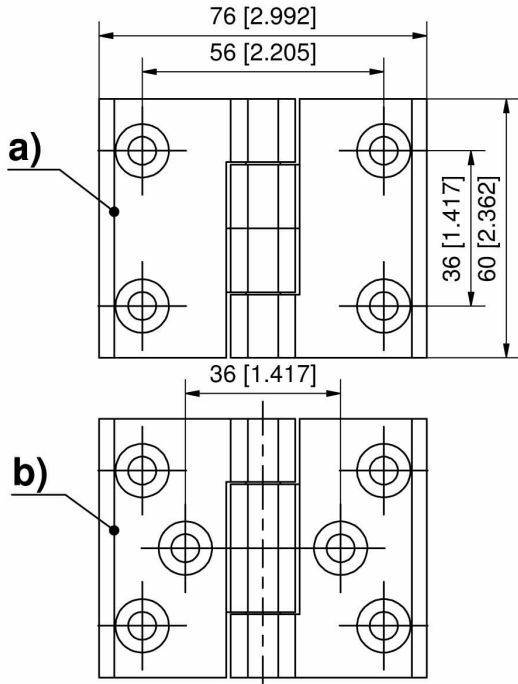
Notes

Combination of versions on request.



Hinge, zinc die

	Part Number	Version	Surface	Pin version	Installation type	Delivery Unit
a)	218-9205.00-00000	for countersunk screws M6 with 4 holes	blasted chrome plated	pressed in	screw-on	10 pcs.
a)	218-9206.00-00000	for countersunk screws M6 with 4 holes	black	pressed in	screw-on	10 pcs.
b)	218-9207.00-00000	for countersunk screws M6 with 6 holes	blasted chrome plated	pressed in	screw-on	10 pcs.
b)	218-9208.00-00000	for countersunk screws M6 with 6 holes	black	pressed in	screw-on	10 pcs.





4-272.01 Hinge 76x60 Pr01 180° with Grounding Countersunk Screw



Avantages

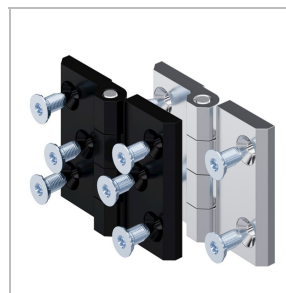
- Grounding countersunk screw according to DIN 7500.
- According to DIN EN 61439-1 (VDE 0660-600-1):2012-06, EN 61439-1:2011.
- For nested doors.
- Hinge visible.
- RH / LH application.
- 180° Opening angle.

Materials

- **Hinge halves:** zinc die, blasted chrome plated or black
- **Pins:** AISI 303
- **Spring:** spring steel
- **Countersunk screw:** steel, zinc plated

Notes

Other dimensions see product system 4-272.
(1.) Information about the grounding countersunk screw see product system 6-044.



Hinge with grounding countersunk screw M6

	Part Number	Version	Surface	Pin version	Installation type	Delivery Unit
a)	218-9205.00-00002	with 4 countersunk holes for M6	blasted chrome plated	pressed in	screw-on	10 pcs.
a)	218-9206.00-00002	with 4 countersunk holes for M6	black	pressed in	screw-on	10 pcs.
b)	218-9207.00-00002	with 6 countersunk holes for M6	blasted chrome plated	pressed in	screw-on	10 pcs.
b)	218-9208.00-00002	with 6 countersunk holes for M6	black	pressed in	screw-on	10 pcs.

