



4-330 Hinge Pr01 200°



Avantages

- For nested doors.
- Hinge visible.
- RH / LH application.
- 200° Opening angle.
- With PA bushings.

Materials

- **Frame- and door-part:** zinc die, blasted chrome plated or black
- **Pin:** stainless steel or steel, zinc plated
- **Bushings:** PA, natural

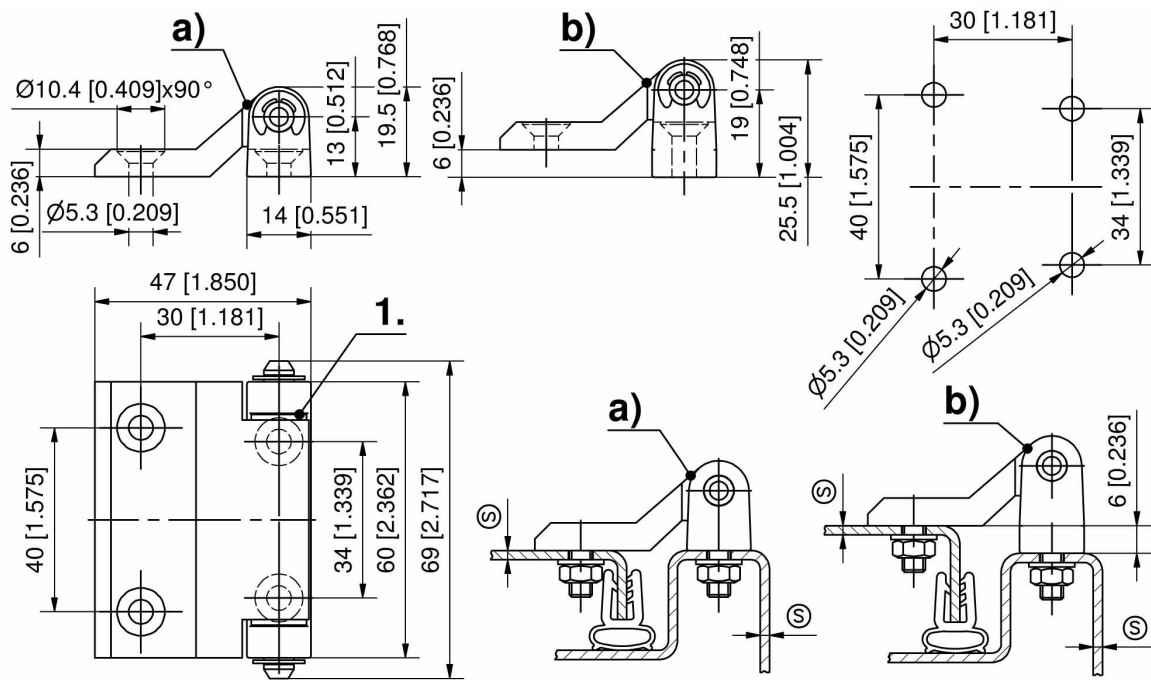
Notes

Delivery is made unassembled.
1. PA bushings



Hinge, zinc die

| | Part Number | Surface | Frame-part | Material pin | Pin version | Installation type | Delivery Unit |
|----|-------------------|-----------------------|------------|--------------------|--|-------------------|---------------|
| a) | 217-9109.00-00000 | blasted chrome plated | normal | steel, zinc plated | with groove incl. locking washer DIN6799 | screw-on | 6 pcs. |
| a) | 217-9110.00-00000 | blasted chrome plated | normal | stainless steel | with groove incl. locking washer DIN6799 | screw-on | 6 pcs. |
| b) | 217-9116.00-00000 | blasted chrome plated | raised | steel, zinc plated | with groove incl. locking washer DIN6799 | screw-on | 6 pcs. |
| b) | 217-9117.00-00000 | blasted chrome plated | raised | stainless steel | with groove incl. locking washer DIN6799 | screw-on | 6 pcs. |
| a) | 217-9101.00-00000 | black | normal | steel, zinc plated | with groove incl. locking washer DIN6799 | screw-on | 6 pcs. |
| a) | 217-9102.00-00000 | black | normal | stainless steel | with groove incl. locking washer DIN6799 | screw-on | 6 pcs. |
| b) | 217-9103.00-00000 | black | raised | steel, zinc plated | with groove incl. locking washer DIN6799 | screw-on | 6 pcs. |
| b) | 217-9104.00-00000 | black | raised | stainless steel | with groove incl. locking washer DIN6799 | screw-on | 6 pcs. |





4-340 Hinge Pr01 200°



Avantages

- For nested doors.
- Hinge visible.
- RH / LH application.
- 200° Opening angle.
- With PA bushings.

Materials

- **Frame- and door-part:** zinc die, blasted chrome plated or black
- **Pin:** stainless steel or steel, zinc plated
- **Bushings:** PA, natural

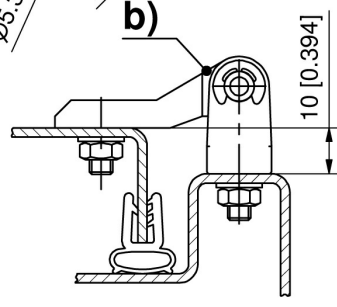
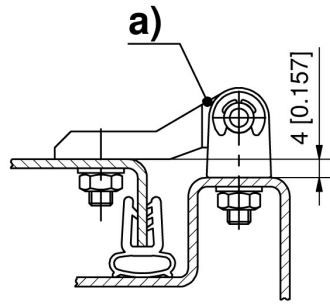
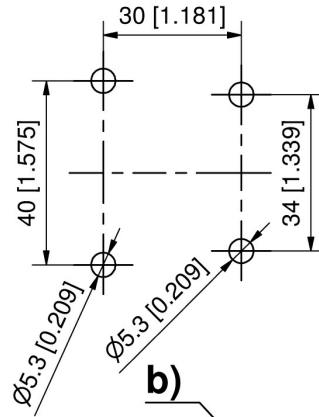
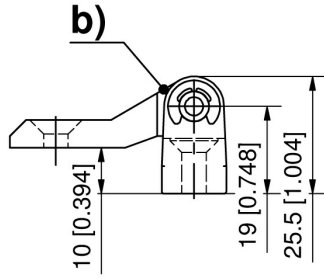
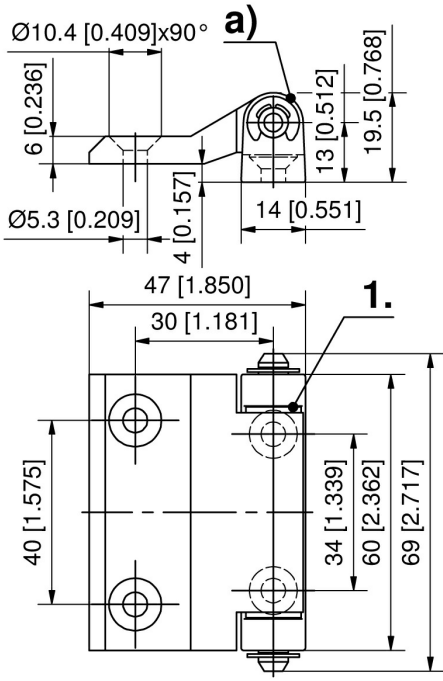
Notes

Delivery is made unassembled.
1. PA bushings



Hinge

| | Part Number | Surface | Frame-part | Material pin | Pin version | Installation type | Delivery Unit |
|----|-------------------|-----------------------|------------|--------------------|--|-------------------|---------------|
| a) | 217-9111.00-00000 | blasted chrome plated | normal | steel, zinc plated | with groove incl. locking washer DIN6799 | screw-on | 6 pcs. |
| a) | 217-9112.00-00000 | blasted chrome plated | normal | stainless steel | with groove incl. locking washer DIN6799 | screw-on | 6 pcs. |
| b) | 217-9118.00-00000 | blasted chrome plated | raised | steel, zinc plated | with groove incl. locking washer DIN6799 | screw-on | 6 pcs. |
| b) | 217-9119.00-00000 | blasted chrome plated | raised | stainless steel | with groove incl. locking washer DIN6799 | screw-on | 6 pcs. |
| a) | 217-9105.00-00000 | black | normal | steel, zinc plated | with groove incl. locking washer DIN6799 | screw-on | 6 pcs. |
| a) | 217-9106.00-00000 | black | normal | stainless steel | with groove incl. locking washer DIN6799 | screw-on | 6 pcs. |
| b) | 217-9107.00-00000 | black | raised | steel, zinc plated | with groove incl. locking washer DIN6799 | screw-on | 6 pcs. |
| b) | 217-9108.00-00000 | black | raised | stainless steel | with groove incl. locking washer DIN6799 | screw-on | 6 pcs. |





4-326 Corner Hinge Pr04 180°



Avantages

- For surface mounted doors.
- Hinge visible.
- RH / LH application.
- 180° Opening angle.
- Screw-on.
- With PA bushings.
- The 2 upper examples of applications show the asymmetric layout of the door-part (2). This layout allows for a wide variety of door bendings.
- The knurled pin can be replaced by a pin with 2 c-clips see product system 4-330.

Materials

- **Frame- and middle-part:** zinc die, blasted chrome plated or black
- **Pin:** stainless steel
- **Bushing:** PA, natural

Notes

Delivery unassembled
1. bushing



Corner hinge, zinc die

| | Part Number | Surface frame-part | Frame-part | Pin version | Installation type | Delivery Unit |
|----|-------------------|-----------------------|------------|-------------|-------------------|---------------|
| a) | 217-9301.00-00000 | blasted chrome plated | normal | pressed in | screw-on | 10 pcs. |
| b) | 217-9303.00-00000 | blasted chrome plated | raised | pressed in | screw-on | 10 pcs. |
| a) | 217-9302.00-00000 | black | normal | pressed in | screw-on | 10 pcs. |
| b) | 217-9304.00-00000 | black | raised | pressed in | screw-on | 10 pcs. |

