



4-330DST DST Hinge Pr01 200°



Avantages

- For nested doors.
- Hinge visible.
- 200° Opening angle.
- Frame-part with DIRAK-SNAP-Technology.
- Door-part screw-on.

Materials

- **Frame- and door-part:** zinc die, black
- **Loose pin and washers:** steel, zinc plated
- **Fixed pin:** stainless steel
- **Bushing:** PA, natural
- **Snap wedges:** sintered metal, coated

Notes

1. PA bushings at both ends (version a) and b))
Further details and dimensions see product system 4-330.



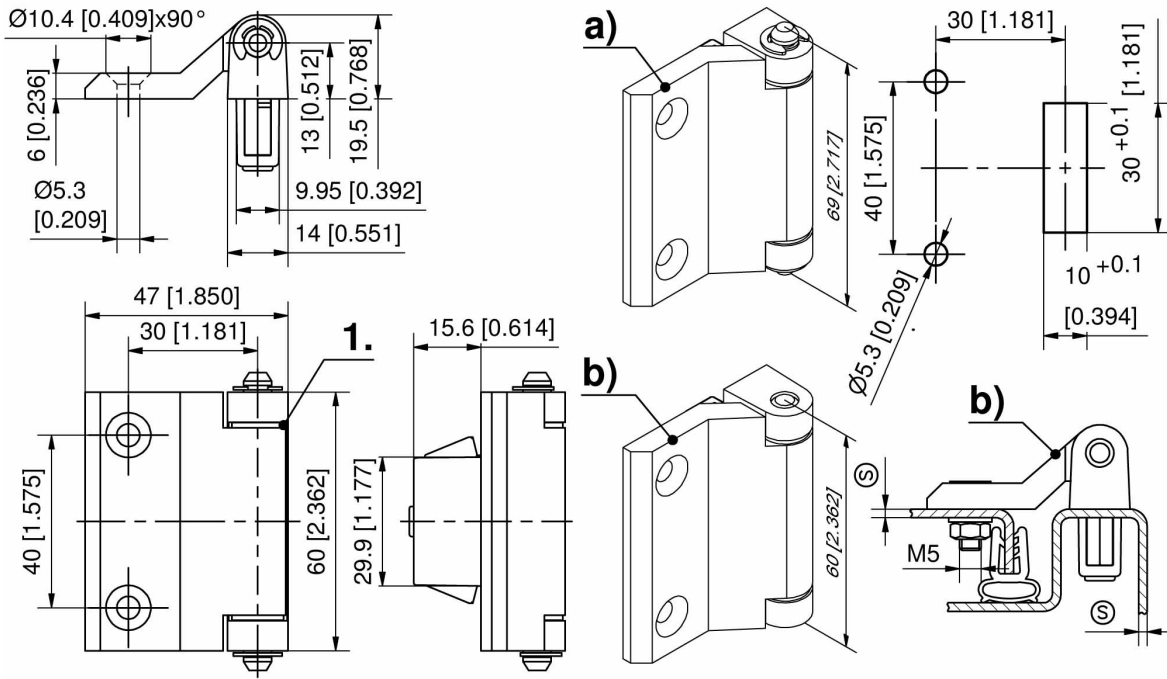
Hinge

	Part Number	Clamping range (S)	Material pin	Pin length L	Pin version	Installation type	Delivery Unit
a)	417-9001.00-00015	1.2 - 1.7 mm	steel, zinc plated	69 mm	with groove incl. locking washer DIN6799	tool-less / screw-on	10 pcs.
a)	417-9001.00-00020	1.7 - 2.2 mm	steel, zinc plated	69 mm	with groove incl. locking washer DIN6799	tool-less / screw-on	10 pcs.
a)	417-9001.00-00025	2.2 - 2.7 mm	steel, zinc plated	69 mm	with groove incl. locking washer DIN6799	tool-less / screw-on	10 pcs.
a)	417-9001.00-00030	2.7 - 3.2 mm	steel, zinc plated	69 mm	with groove incl. locking washer DIN6799	tool-less / screw-on	10 pcs.
b)	417-9101.00-00015	1.2 - 1.7 mm	stainless steel	60 mm	pressed in	tool-less / screw-on	10 pcs.
b)	417-9101.00-00020	1.7 - 2.2 mm	stainless steel	60 mm	pressed in	tool-less / screw-on	10 pcs.
b)	417-9101.00-00025	2.2 - 2.7 mm	stainless steel	60 mm	pressed in	tool-less / screw-on	10 pcs.
b)	417-9101.00-00030	2.7 - 3.2 mm	stainless steel	60 mm	pressed in	tool-less / screw-on	10 pcs.

292-0306.80-02530 **Tool for uninstallation**

292-0401.00-03010 **Cutout-cover**

292-0702.15-01030 **Reinforcement plate for cutout**





4-340DST DST Hinge Pr01 200°



Avantages

- For nested doors.
- Hinge visible.
- RH / LH application.
- 200° Opening angle.
- Frame-part with DIRAK-SNAP-Technology.
- Door-part with countersunk holes for screw-on.
- With PA bushings.

Materials

- **Frame- and door-part:** zinc die, black
- **Loose/ fixed pin and washers:** stainless steel
- **Bushings:** PA, natural
- **Snap wedges:** sintered steel

Notes

1. PA bushings
Further details and dimensions see product system 4-340.



Hinge

	Part Number	Clamping range (S)	Pin length L	Pin version	Installation type	Delivery Unit
a)	417-9106.00-00015	1.2 - 1.7 mm	69 mm	with groove incl. locking washer DIN6799	tool-less / screw-on	10 pcs.
a)	417-9106.00-00020	1.7 - 2.2 mm	69 mm	with groove incl. locking washer DIN6799	tool-less / screw-on	10 pcs.
a)	417-9106.00-00025	2.2 - 2.7 mm	69 mm	with groove incl. locking washer DIN6799	tool-less / screw-on	10 pcs.
a)	417-9106.00-00030	2.7 - 3.2 mm	69 mm	with groove incl. locking washer DIN6799	tool-less / screw-on	10 pcs.
b)	417-9109.00-00015	1.2 - 1.7 mm	60 mm	pressed in	tool-less / screw-on	10 pcs.
b)	417-9109.00-00020	1.7 - 2.2 mm	60 mm	pressed in	tool-less / screw-on	10 pcs.
b)	417-9109.00-00025	2.2 - 2.7 mm	60 mm	pressed in	tool-less / screw-on	10 pcs.
b)	417-9109.00-00030	2.7 - 3.2 mm	60 mm	pressed in	tool-less / screw-on	10 pcs.

292-0306.80-02530 **Tool for uninstallation**

292-0401.00-03010 **Cutout-cover**

292-0702.15-01030 **Reinforcement plate for cutout**

