



7-030 Rod Latch RS/FS PrA Stainless Steel



Avantages

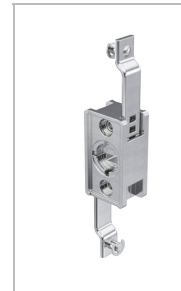
- For cutout A.
- The latch can be used with escutcheon, handles or swinghandle.
- Installation with or without cam.
- For application within the sealed area.
- Can also be used outside the seal in edge area.
- RH / LH application through double symmetry.
- Grounding by grounding clip (optional).

Materials

- **Rod latch:** AISI 316
- **Adapter:** AISI 303

Notes

1. stroke 24mm

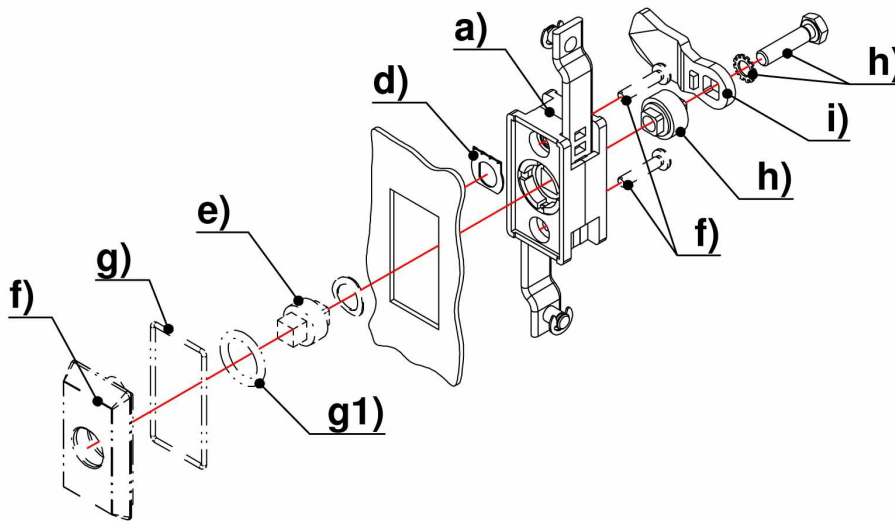


Rod latch

	Part Number	Rod fastening	Installation type	Delivery Unit
a)	208-9025.00-00000	C-clip	screw-on	1 pc.

* Accessories

- b) 7-106 **Round Rods Stainless Steel**
- b1) 200-9603.00-00000 **Adapter for Round Rods Ø8mm Stainless Steel**
- c) 7-070 **Flat Rods FS Stainless Steel**
- d) 3-011 **Grounding Clip Stainless Steel**
- e) 7-082 **Insert Stainless Steel Pr20.1**
- f) 7-034 **Escutcheon and Inserts PrA / PrC Stainless Steel**
- f) 7-035 **T- and L-Handle FS PrA Stainless Steel**
- g1) 208-1801.00-00000 **O-ring 16 x 3.0mm**
- g) 208-1802.00-00000 **O-ring 39.45 x 1.78mm**
- h) 208-9406.00-00000 **Cam adapter with hex. head screw M6x25 + serrated lock washer**
- i) 7-105 **Cams L35/45 Stainless Steel**



Formula for rods:
cutout in the door center

$$L = \frac{\text{clearance} - 10\text{mm [0.394] (tolerance)} - \text{Rod Latch System in retracted condition}}{2}$$

