



7-065 Swinghandle RS PrC Stainless Steel



Avantages

- For cutout C and round rods.
- Swinghandle with liftable operating lever.
- 90° Closing rotation.
- Can be locked with 40mm long profile-cylinders (DIN 18252) with 45° or 90° closing rotation.
- IP65 according to DIN EN 60529.
- RH / LH application.
- Grounding by grounding clip (optional).
- The opening in the dish can be filled with a rectangular blanking plate.

Materials

- **Swinghandle, dish, padlock bolt and dust cover:** AISI 316
- **Swinghandle shaft:** AISI 303
- **Blanking plate, pinion drive and cam:** AISI 304
- **Cap:** PA, black

Notes

- (S) Door-thickness 1.5 - 2.5mm
1. stroke 18mm
 2. length L
 3. clearance



Swinghandle for profile-cylinder

	Part Number	Version	Padlock	Installation type	Delivery Unit
a)	207-9294.00-00000	without cylinder dustcover		screw-on	1 pc.
a)	207-9295.00-00000	with cylinder dustcover		screw-on	1 pc.
a1)	107-9284.00-00000	without cylinder dustcover	Yes	screw-on	1 pc.
a1)	107-9285.00-00000	with cylinder dustcover	Yes	screw-on	1 pc.

Accessories Swinghandles

	Part Number	Name	Delivery Unit
b)	207-2506.80-00000	Blanking plate for opening	1 pc.

Rod control

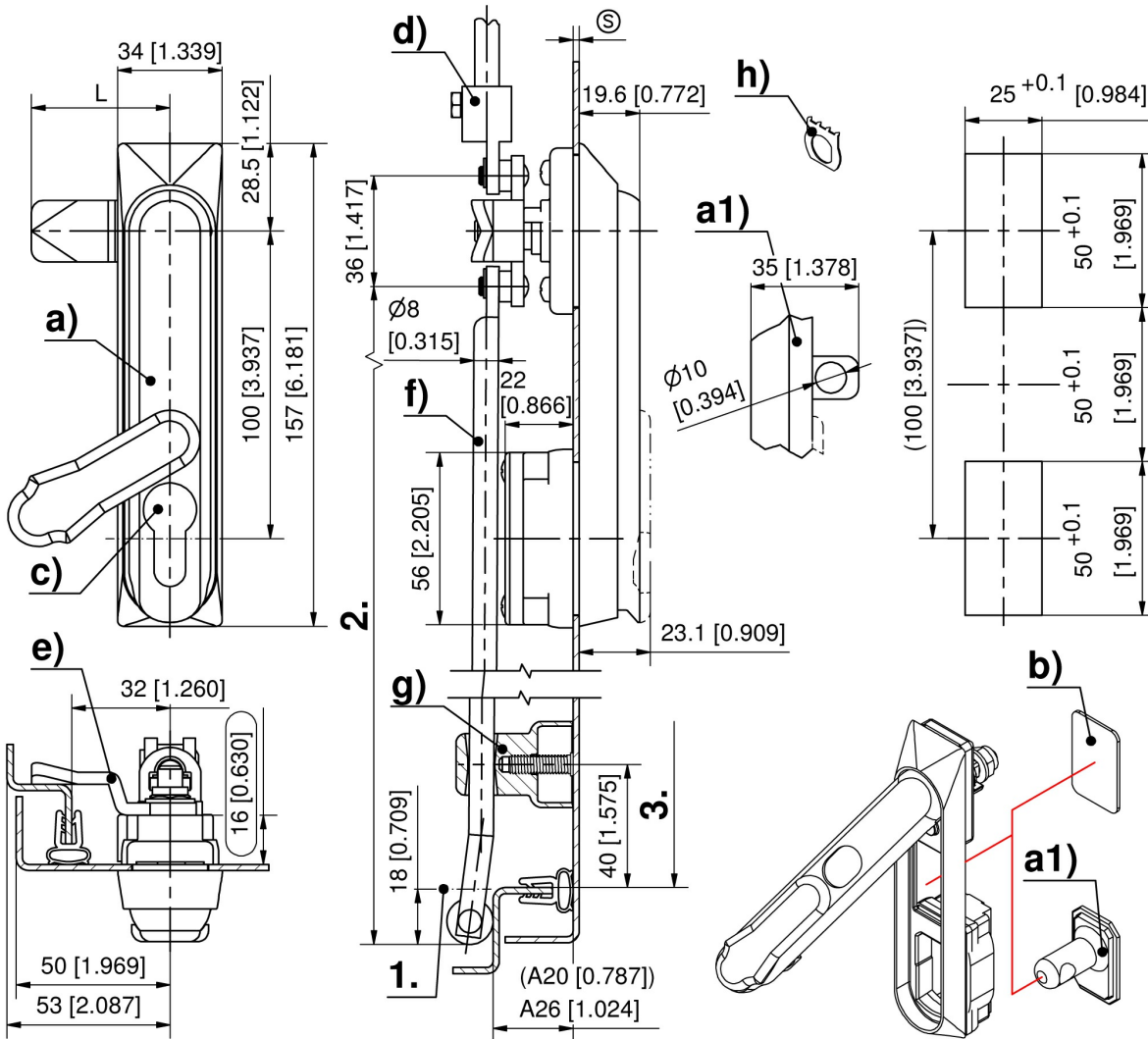
	Part Number	Stop	Delivery Unit
e)	207-9598.00-00000	Yes	1 pc.

3- or 4-point cams, L45

	Part Number	A-dimension	Stop	Delivery Unit
e)	207-9845.00-00022	20 mm	Yes	1 pc.
e)	207-9845.00-00028	26 mm	Yes	1 pc.

* Accessories

- c) 2-140 **Profile-Cylinder DIN 18252**
- c) 7-069 **Profile-Cylinder Stainless Steel**
- d) 1-181.01 **Adapter for Round Rods Ø8mm / Ø10mm Zinc Die**
- f) 7-106 **Round Rods Stainless Steel**
- g) 200-3623.51-00000 **Rod guide**
- g) 200-3625.51-00000 **Rod guide**
- h) 3-011 **Grounding Clip Stainless Steel**



Formula for rods with eye and rollers:
cutout in the door center (rod length varies)

$$L \text{ 2.} = \frac{\text{3. clearance} - 12\text{mm}[0.472]}{2 [0.079]} - 50 \text{ mm}[1.969] \quad L \text{ 2.} = \frac{\text{3. clearance} - 12\text{mm}[0.472]}{2 [0.079]} + 50 \text{ mm}[1.969]$$

cutout outside the door center (rod length equal)

$$L \text{ 2.} = \frac{\text{3. clearance} - 12\text{mm}[0.472]}{2 [0.079]}$$



7-069 Profile-Cylinder Stainless Steel



Avantages

- Profile-cylinder with insert for swinghandles see product system 7-060 and 7-066.
- 40mm length
- Spring loaded clip-in cam.
- Fire protection tested with E60 classification according to DIN EN 45545-3.

Materials

- **Housing, cam and insert:** AISI 316

Notes

- i) security insert with free rotating 8mm triangular front part. The free rotating front part increases the security because the insert can only be opened with the suitable triangular key.



Profile-cylinder with insert

	Part Number	Insert	Delivery Unit
a)	211-9226.00-00000	Square 6mm	1 pc.
b)	211-9227.00-00000	Square 7mm	1 pc.
c)	211-9228.00-00000	Square 8mm	1 pc.
d)	211-9229.00-00000	Triangular 7mm	1 pc.
e)	211-9230.00-00000	Triangular 8mm	1 pc.
f)	211-9231.00-00000	Double bit 3mm pin	1 pc.
g)	211-9232.00-00000	Double bit 5mm pin	1 pc.
h)	211-9233.00-00000	Slotted 2x4mm	1 pc.
i)	211-9242.00-00000	Security insert with free rotating 8mm triangular front part	1 pc.
j)	211-9238.00-00000	Conical square 9mm	1 pc.

