



7-075 Safety Quarter-Turn Pr20.1 L18 Stainless Steel



Avantages

- Safety quarter-turn, vibration-proof also at high sealing pressure through an integrated latch.
- Completely closed surface.
- Closing rotation 90°.
- Fire protection tested with E60 classification according to DIN EN 45545-3.
- IP65 according to DIN EN 60529. (included in scope of delivery)
- RH / LH application.
- Grounding by single-sided grounding nut.
- The quarter-turn can be screwed into the cutout with the pre-assembled cam.
- Operation not possible without an appropriate key (only keys form A, B, C or D of 6-100).
- The double bit key is captive in open position according to DIN 43668, pull-off force max. 300N

Materials

- **Housing, insert, escutcheon and spring loaded link:** AISI 316
- **Pin:** AISI 303
- **O-ring:** NBR


Notes

- (S) Door-thickness max. 8mm
Completely pre-assembled without cam.
1. escutcheon
 2. spring loaded link
 3. flush, closed surface
 4. position cam in the direction of marking

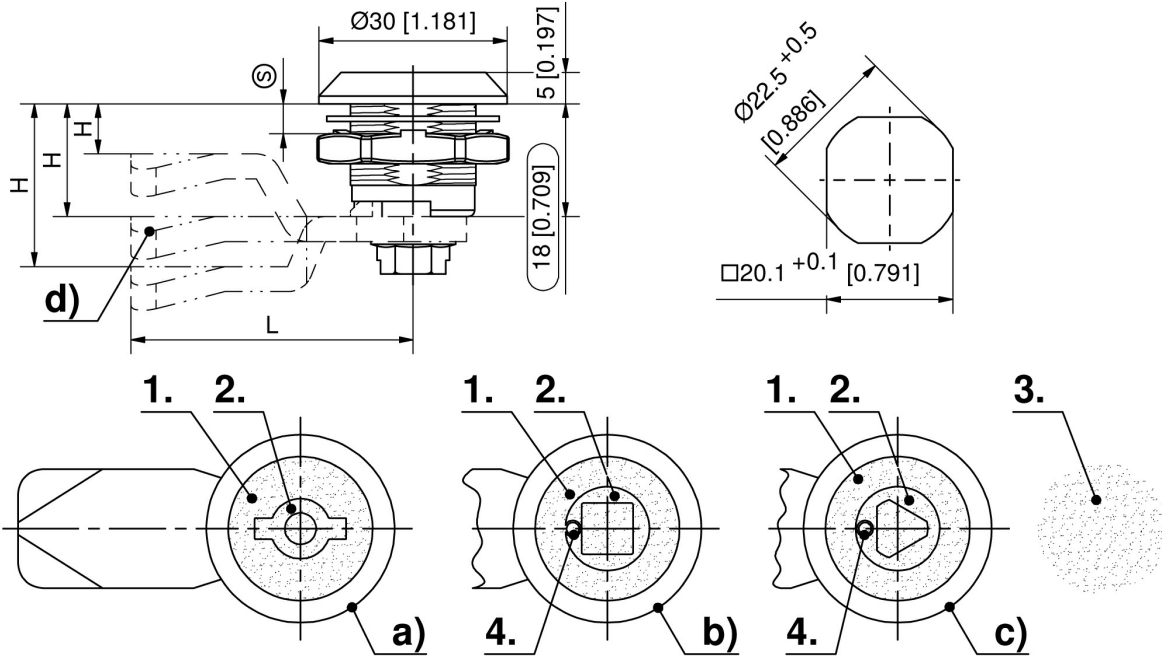


Safety quarter-turn with insert

	Part Number	Version	Insert	Installation type	Delivery Unit
a)	255-9429.00-00000	RH version	Double bit 3mm pin	screw-on	1 pc.
a)	255-9430.00-00000	LH version	Double bit 3mm pin	screw-on	1 pc.
a)	255-9409.00-00000	RH version	Double bit 5mm pin	screw-on	1 pc.
a)	255-9410.00-00000	LH version	Double bit 5mm pin	screw-on	1 pc.
b)	255-9402.00-00000	RH / LH	Square 7mm	screw-on	1 pc.
b)	255-9403.00-00000	RH / LH	Square 8mm	screw-on	1 pc.
c)	255-9405.00-00000	RH / LH	Triangular 8mm	screw-on	1 pc.

 Accessories

- d) 1-262 **Cams variable**
- d) 7-105 **Cams L35/45 Stainless Steel**
- 6-100 **Wrenches and Keys**
- 6-101 **Universal key**





7-074 Safety Quarter-Turn Pr20.1 L18 Stainless Steel



Avantages

- Flat version.
- Fully closed external surface.
- Vibration-proof also at high sealing pressure.
- IP65 according to DIN EN 60529.
- RH / LH application.
- A pre-assembled quarter-turn can be inserted through the cutout.

Materials

- **Housing, insert, spring loaded link and nut:** AISI 316L
- **O-ring and flat external seal:** NBR Perbunan

Notes

(S) Door-thickness max. 8mm
Attention: an assembled cam will have some axial play on the insert. This play is necessary to neutralize tipping of the insert at high compression forces. This tipping will squeeze the spring loaded link.

1. flat external seal
2. serrated screw
3. spring loaded link
4. closed surface

Completely assembled without cam.

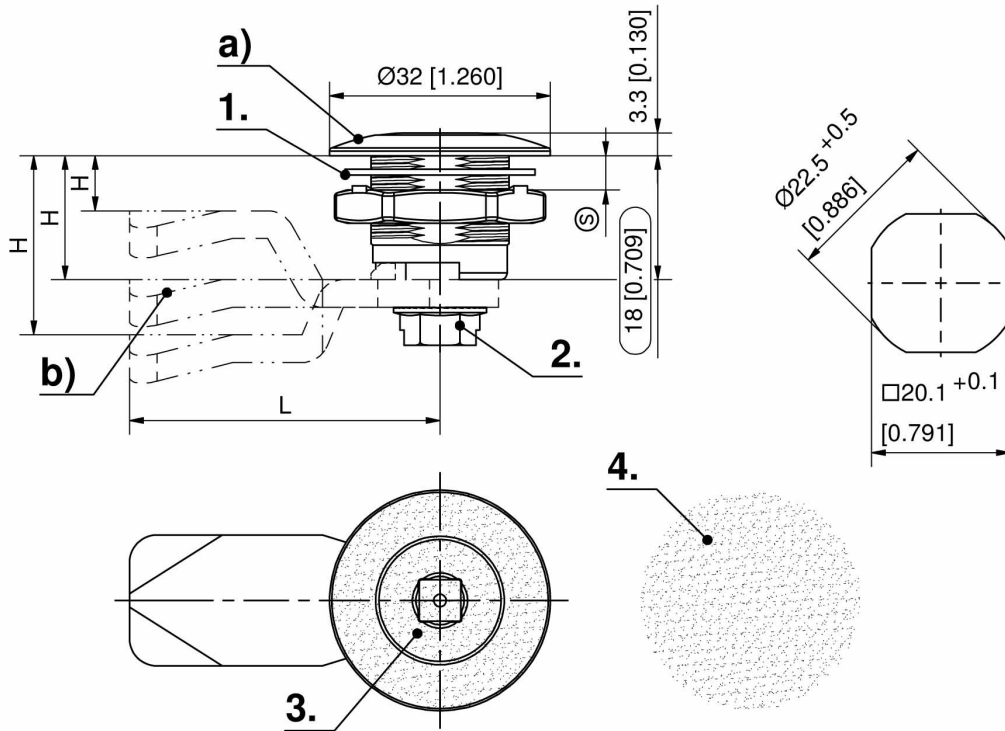


Safety quarter-turn with insert

	Part Number	Insert	Installation type	Delivery Unit
a)	255-9427.00-00000	Square 6mm	screw-on	1 pc.

b) 7-105 **Cams L35/45 Stainless Steel**

6-100 **Wrenches and Keys**





7-105 Cams L35/45 Stainless Steel



Avantages

- Cams with ramp and stop with 35mm and 45mm length for 1-point locking.
- 3-point cam for 3-point locking.
- 2-point cam as rod control for 2-point locking.

Materials

- **Cams:** AISI 304

Notes

Slide shoe for cams 35 and 45mm, see product system 1-103
1. ramp 3mm
2. stroke 18mm
3. stubs for c-clips included



Cams, L45

Part Number	H-dimension GI18	H-dimension GI30	H-dimension GI36	H-dimension GI40	H-dimension GI50	H-dimension GI60	Delivery Unit
200-0506.00-00000	6 mm	18 mm	24 mm	28 mm	38 mm	48 mm	1 pc.
200-0508.00-00000	8 mm	20 mm	26 mm	30 mm	40 mm	50 mm	1 pc.
200-0510.00-00000	10 mm	22 mm	28 mm	32 mm	42 mm	52 mm	1 pc.
200-0514.00-00000	14 mm	26 mm	32 mm	36 mm	46 mm	56 mm	1 pc.
200-0516.00-00000	16 mm	28 mm	34 mm	38 mm	48 mm	58 mm	1 pc.
200-0518.00-00000	18 mm	30 mm	36 mm	40 mm	50 mm	60 mm	1 pc.
200-0520.00-00000	20 mm	32 mm	38 mm	42 mm	52 mm	62 mm	1 pc.
200-0522.00-00000	22 mm	34 mm	40 mm	44 mm	54 mm	64 mm	1 pc.
200-0524.00-00000	24 mm	36 mm	42 mm	46 mm	56 mm	66 mm	1 pc.
200-0526.00-00000	26 mm	38 mm	44 mm	48 mm	58 mm	68 mm	1 pc.
200-0528.00-00000	28 mm	40 mm	46 mm	50 mm	60 mm	70 mm	1 pc.
200-0532.00-00000	32 mm	44 mm	50 mm	54 mm	64 mm	74 mm	1 pc.
200-0540.00-00000	40 mm	52 mm	58 mm	62 mm	72 mm	82 mm	1 pc.
200-0542.00-00000	42 mm	54 mm	60 mm	64 mm	74 mm	84 mm	1 pc.
200-0550.00-00000	50 mm	62 mm	68 mm	72 mm	82 mm	92 mm	1 pc.

Cams, L35

Part Number	H-dimension GI18	H-dimension GI30	H-dimension GI36	H-dimension GI40	H-dimension GI50	H-dimension GI60	Delivery Unit
200-4535.00-00018	18 mm	30 mm	36 mm	40 mm	50 mm	60 mm	1 pc.
200-4535.00-00020	20 mm	32 mm	38 mm	42 mm	52 mm	62 mm	1 pc.
200-4535.00-00022	22 mm	34 mm	40 mm	44 mm	54 mm	64 mm	1 pc.

3-point cam

Part Number	Version	Delivery Unit
200-9845.00-00022	Bending A20	1 pc.
200-9845.00-00028	Bending A26	1 pc.

2-point cam

Part Number	Delivery Unit
200-9899.00-00000	1 pc.

