



# 7-078 Compression Latch Pr20.1 L22/32 Stainless Steel



## Avantages

- Compression 6mm.
- Flat head shape.
- The coloured marking on the casing top indicates the opened/closed position in form of a padlock. Insert with coloured marking.
- Vibration-proof.
- Fire protection tested with E60 classification according to DIN EN 45545-3.
- IP65/67 according to DIN EN 60529.
- IP69K according to DIN 40050.
- RH and LH version.
- Grounding by single-sided grounding nut.
- The H-dimension can be varied via the cranking of the cams.

## Materials

- **Housings, insert, axle and grounding nut:** AISI 316
- **Serrated screw:** AISI 304
- **O-ring:** NBR, black

## Notes

- (S) Door-thickness max. 12mm for GL22  
(S) Door-thickness max. 22mm for GL32  
Please configure the quarter-turn with a cam.
- Negatively bent cams can not be installed pre-assembled.
1. compression 6mm
  2. single-sided grounding nut
  3. flat external seal
  4. GL 32mm with foamed sealing PUR



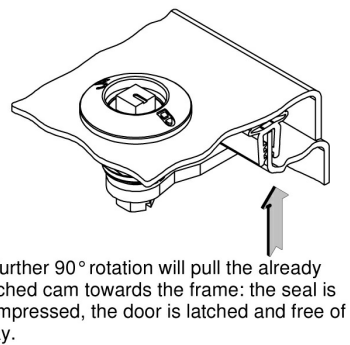
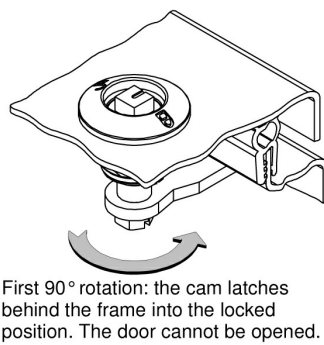
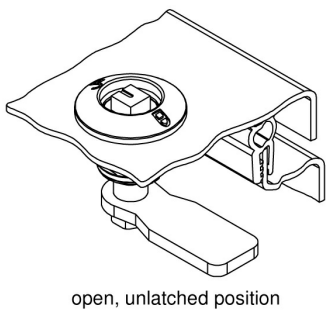
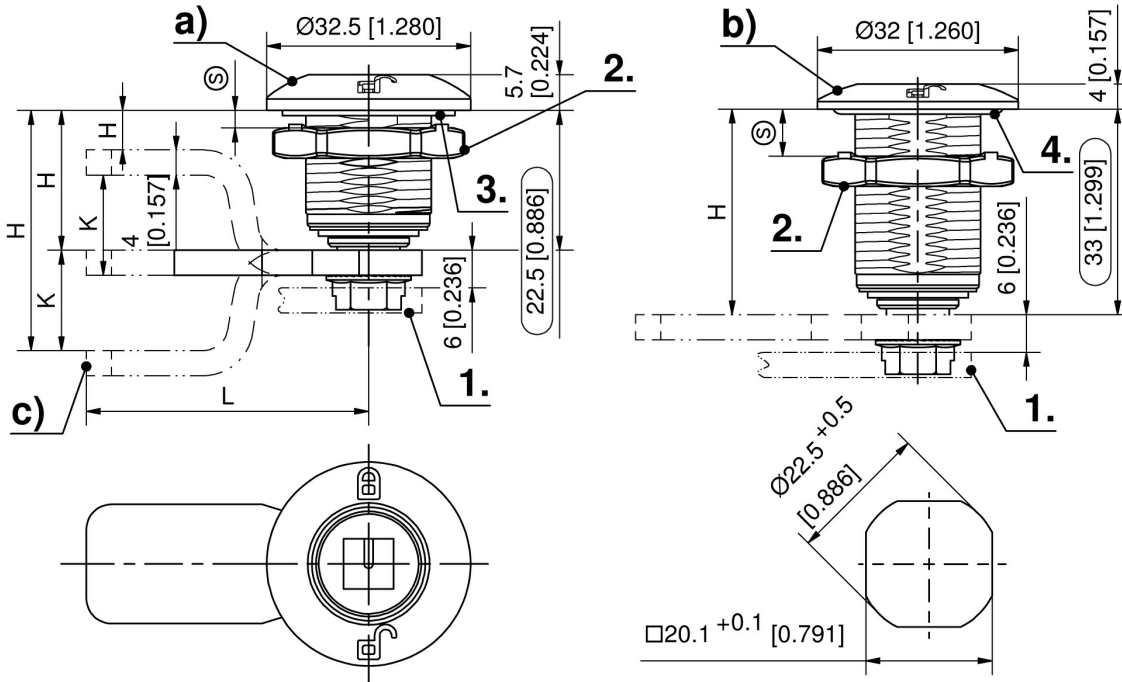
## Compression Latch with insert, version RH, closing left

	<b>Part Number</b>	<b>Insert</b>	<b>Housing length</b>	<b>Door-thickness (S)</b>	<b>Installation type</b>	<b>Delivery Unit</b>
a)	248-9043.00-03008	Square 8mm	22 mm	max. 12 mm	screw-on	1 pc.
a)	248-9043.00-06008	Triangular 8mm	22 mm	max. 12 mm	screw-on	1 pc.
a)	248-9043.00-09003	Double bit 3mm pin	22 mm	max. 12 mm	screw-on	1 pc.
a)	248-9043.00-07007	Conical square 9mm	22 mm	max. 12 mm	screw-on	1 pc.
b)	248-9100.00-00000	Square 6mm	32 mm	max. 22 mm	screw-on	1 pc.
b)	248-9101.00-00000	Square 7mm	32 mm	max. 22 mm	screw-on	1 pc.
b)	248-9102.00-00000	Square 8mm	32 mm	max. 22 mm	screw-on	1 pc.
b)	248-9103.00-00000	Double bit 3mm pin	32 mm	max. 22 mm	screw-on	1 pc.
b)	248-9104.00-00000	Double bit 5mm pin	32 mm	max. 22 mm	screw-on	1 pc.
b)	248-9105.00-00000	Triangular 6.5mm	32 mm	max. 22 mm	screw-on	1 pc.
b)	248-9106.00-00000	Triangular 7mm	32 mm	max. 22 mm	screw-on	1 pc.
b)	248-9107.00-00000	Triangular 8mm	32 mm	max. 22 mm	screw-on	1 pc.
b)	248-9108.00-00000	Conical square 9mm	32 mm	max. 22 mm	screw-on	1 pc.
b)	248-9109.00-00000	Hex. SW 11	32 mm	max. 22 mm	screw-on	1 pc.
b)	248-9110.00-00000	Conial triangular pointed, 7mm	32 mm	max. 22 mm	screw-on	1 pc.

## Compression Latch with insert, version LH, closing right

	<b>Part Number</b>	<b>Insert</b>	<b>Housing length</b>	<b>Door-thickness (S)</b>	<b>Installation type</b>	<b>Delivery Unit</b>
a)	248-9042.00-03008	Square 8mm	22 mm	max. 12 mm	screw-on	1 pc.
a)	248-9042.00-06008	Triangular 8mm	22 mm	max. 12 mm	screw-on	1 pc.
a)	248-9042.00-09003	Double bit 3mm pin	22 mm	max. 12 mm	screw-on	1 pc.
a)	248-9042.00-07007	Conical square 9mm	22 mm	max. 12 mm	screw-on	1 pc.
b)	248-9150.00-00000	Square 6mm	32 mm	max. 22 mm	screw-on	1 pc.
b)	248-9151.00-00000	Square 7mm	32 mm	max. 22 mm	screw-on	1 pc.
b)	248-9152.00-00000	Square 8mm	32 mm	max. 22 mm	screw-on	1 pc.
b)	248-9153.00-00000	Double bit 3mm pin	32 mm	max. 22 mm	screw-on	1 pc.
b)	248-9154.00-00000	Double bit 5mm pin	32 mm	max. 22 mm	screw-on	1 pc.
b)	248-9155.00-00000	Triangular 6.5mm	32 mm	max. 22 mm	screw-on	1 pc.
b)	248-9156.00-00000	Triangular 7mm	32 mm	max. 22 mm	screw-on	1 pc.
b)	248-9157.00-00000	Triangular 8mm	32 mm	max. 22 mm	screw-on	1 pc.
b)	248-9158.00-00000	Conical square 9mm	32 mm	max. 22 mm	screw-on	1 pc.
b)	248-9159.00-00000	Hex. SW 11	32 mm	max. 22 mm	screw-on	1 pc.
b)	248-9160.00-00000	Conial triangular pointed, 7mm	32 mm	max. 22 mm	screw-on	1 pc.

- c) 7-105.01 Cams L35/45 Stainless Steel
- 6-100 Wrenches and Keys
- 6-101 Universal key
- 6-105 Keys for the Railway Sector
- 200-4103.00-00000 Dust cap
- 200-4601.00-00000 Anti-rotation device
- 200-4601.02-00000 Anti-rotation device





## 7-105.01 Cams L35/45 Stainless Steel



### Avantages

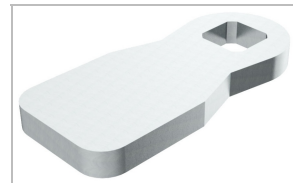
- Cams without ramp and stop.
- **a), a1)** = straight cam (XX)
- (XX) = housing length, measured from the upper edge of the panel to the upper edge of the cam.
- **b), b1)** = negatively bent cam (upwards)
- **c), c1)** = positively bent cam (downwards)

### Materials

- **Cams:** AISI 304

### Notes

Attention: please note that a collision with the fixing nut of negatively bent cams installed in thick doors might be possible. The functionality has to be checked in the individual case.  
Formula for H-dimension:  
for negatively bent cams K will be subtracted from (XX),  
for positively bent cams K will be added to (XX)



## Cam, length 35mm, without stop

<b>Part Number</b>	<b>b) negatively bent K =</b>	<b>c) positively bent K =</b>	<b>Delivery Unit</b>
100-0535.80-00022	22 mm	22 mm	1 pc.
100-0535.80-00020	20 mm	20 mm	1 pc.
100-0535.80-00018	18 mm	18 mm	1 pc.
100-0535.80-00016	16 mm	16 mm	1 pc.
100-0535.80-00014	14 mm	14 mm	1 pc.
100-0535.80-00012	12 mm	12 mm	1 pc.
100-0535.80-00010	10 mm	10 mm	1 pc.
100-0535.80-00008	8 mm	8 mm	1 pc.
100-0535.80-00006	6 mm	6 mm	1 pc.
100-0535.80-00004	4 mm	4 mm	1 pc.
100-0535.80-00002	2 mm	2 mm	1 pc.
a) 100-0535.80-00000	00 mm	00 mm	1 pc.

## Cam, length 45mm, without stop

<b>Part Number</b>	<b>b) negatively bent K =</b>	<b>c) positively bent K =</b>	<b>Delivery Unit</b>
100-0545.80-00022	22 mm	22 mm	1 pc.
100-0545.80-00020	20 mm	20 mm	1 pc.
100-0545.80-00018	18 mm	18 mm	1 pc.
100-0545.80-00016	16 mm	16 mm	1 pc.
100-0545.80-00014	14 mm	14 mm	1 pc.
100-0545.80-00012	12 mm	12 mm	1 pc.
100-0545.80-00010	10 mm	10 mm	1 pc.
100-0545.80-00008	8 mm	8 mm	1 pc.
100-0545.80-00006	6 mm	6 mm	1 pc.
100-0545.80-00004	4 mm	4 mm	1 pc.
100-0545.80-00002	2 mm	2 mm	1 pc.
a1) 100-0545.80-00000	00 mm	00 mm	1 pc.

