



# 7-080 Quarter-Turn Pr20.1 L18 - L60 Stainless Steel



## Avantages

- Fire protection tested with E60 classification according to DIN EN 45545-3.
- Housing L18 according to IP65 DIN EN 60529. It can reach IP67 DIN EN 60529 by additional o-ring (200-1002.00-00000).
- Housings L30 to L60 can reach IP65/67 DIN EN 60529 by additional o-ring (839-3771.00-00935).
- Grounding by single-sided grounding nut.
- A pre-assembled quarter-turn can be installed through the cutout.

## Materials

- **Housing:** AISI 303 or AISI 316
- **Grounding nut and adapter:** AISI 316
- **O-ring and flat external seal:** NBR

## Notes

Please configure the quarter-turn with insert and cam.  
Adapter sets can consist of one or more separate extensions.  
1. flat external seal



## Housing with flat external seal and single sided grounding nut

	Part Number	Housing length	Door-thickness (S)	suitable Adapter set	Material	Installation type	Delivery Unit
a)	200-9043.00-00000	18 mm	max. 8 mm		AISI 316	screw-on	1 pc.
b)	200-9072.00-00000	30 mm	max. 20 mm	L14	AISI 303	screw-on	1 pc.
b)	100-9024.00-00000	36 mm	max. 26 mm	L21	AISI 303	screw-on	1 pc.
b)	200-9073.00-00000	40 mm	max. 30 mm	L25	AISI 303	screw-on	1 pc.
b)	200-9074.00-00000	50 mm	max. 40 mm	L33	AISI 303	screw-on	1 pc.
b)	200-9075.00-00000	60 mm	max. 50 mm	L44	AISI 303	screw-on	1 pc.



## Assembly options

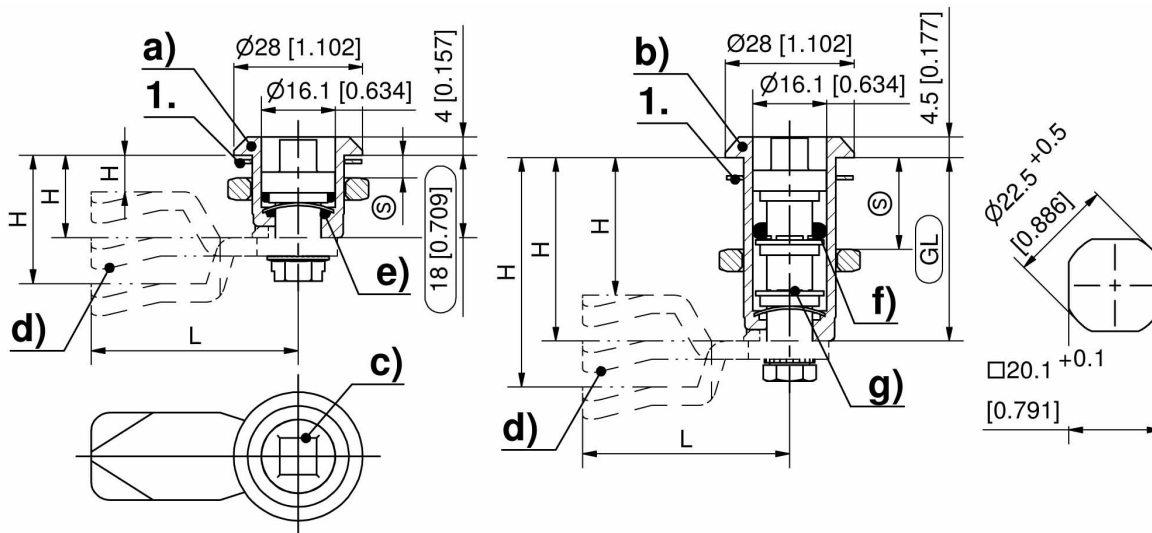
200-0002.00-00000 **Assembling cam with o-ring**

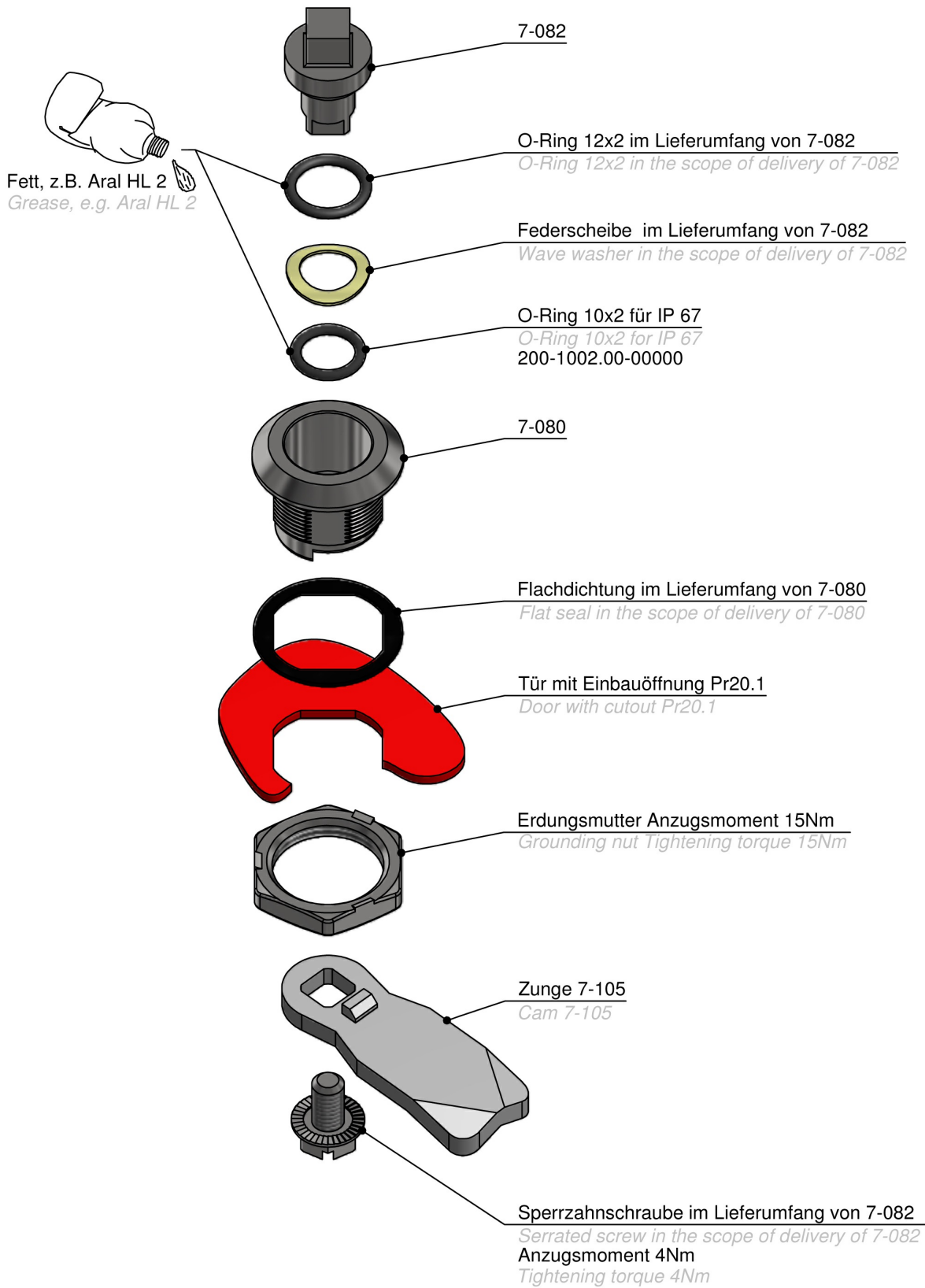
200-0004.00-00000 **Assembling adapter, with o-ring**



## Accessories

- c) 7-082 **Insert Stainless Steel Pr20.1**
- d) 7-105 **Cams L35/45 Stainless Steel**
- e) 200-1002.00-00000 **O-ring 10 x 2.0mm**
- f) 839-3771.00-00935 **O-ring 9 x 3.5mm**
- g) 100-9019.00-00000 **Adapter set L14**
- g) 100-9020.00-00000 **Adapter set L21**
- g) 100-9021.00-00000 **Adapter set L25**
- g) 100-9022.00-00000 **Adapter set L33**
- g) 100-9023.00-00000 **Adapter set L44**
- 1-270 **Dust Caps and Sealing Plug Pr20.1**
- 1-270.01 **Finger Pull for Quarter-Turn Pr20.1**
- 6-100 **Wrenches and Keys**
- 6-101 **Universal key**







## 7-082 Insert Stainless Steel Pr20.1



### Avantages

- Insert with screw, wave washer and o-ring.

### Materials

- **Inserts:** AISI 316
- **Inserts f)+g):** PA with stainless steel insert

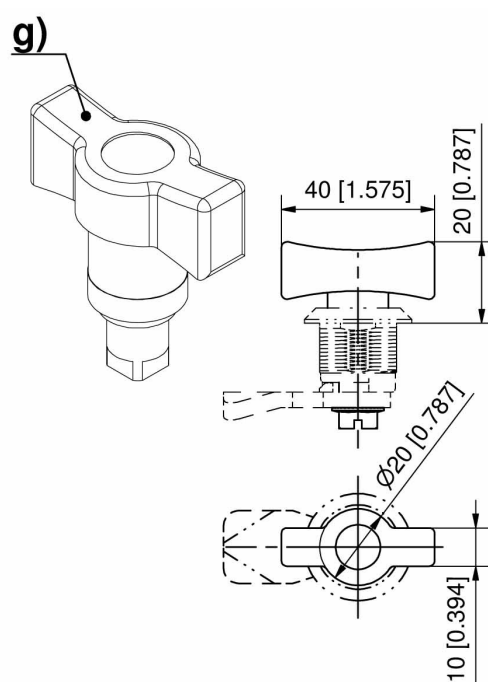
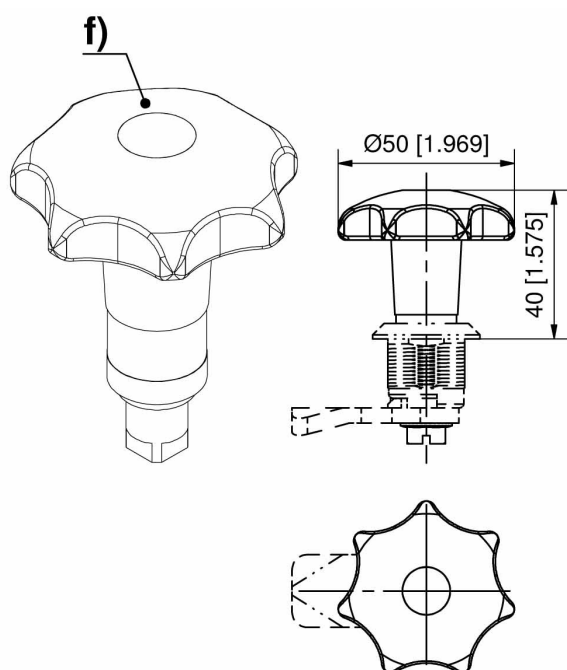
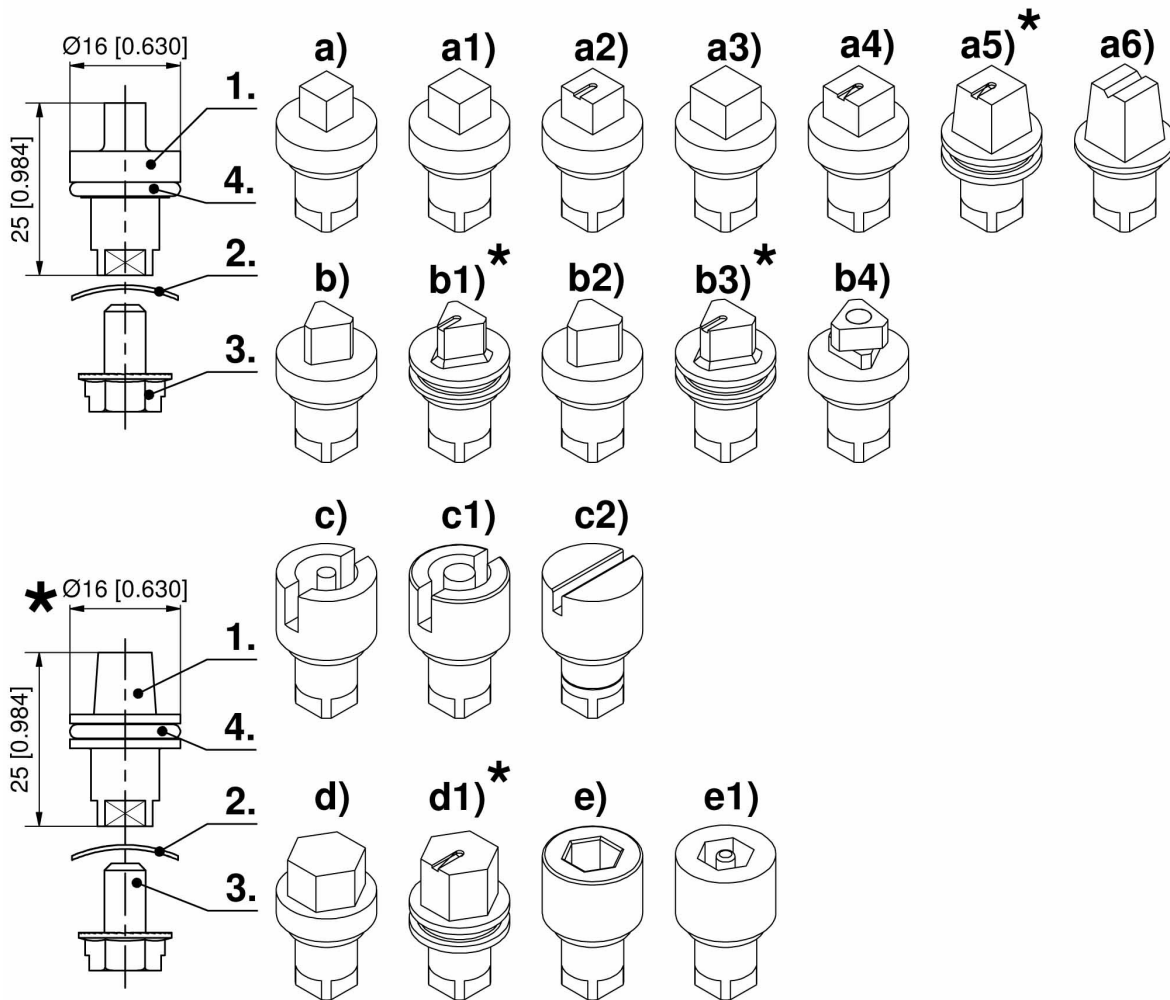
### Notes

1. insert
2. wave washer
3. screw
4. o-ring



# Insert

	Part Number	Insert	Indicator	Delivery Unit
a)	200-9146.00-00000	Square 6mm		1 pc.
a1)	200-9119.00-00000	Square 7mm		1 pc.
a2)	100-9160.00-00000	Square 7mm	Yes	1 pc.
a3)	200-9120.00-00000	Square 8mm		1 pc.
a4)	100-9161.00-00000	Square 8mm	Yes	1 pc.
a5)	100-9165.00-00000	Conical square 9mm	Yes	1 pc.
a6)	200-9189.00-00000	Conical square 9mm		1 pc.
b)	200-9121.00-00000	Triangular 7mm		1 pc.
b1)	100-9162.00-00000	Triangular 7mm	Yes	1 pc.
b2)	200-9122.00-00000	Triangular 8mm		1 pc.
b3)	100-9163.00-00000	Triangular 8mm	Yes	1 pc.
b4)	100-9168.00-00000	Security insert with free rotating 8mm triangular front part		1 pc.
c)	200-9123.00-00000	Double bit 3mm pin		1 pc.
c1)	200-9124.00-00000	Double bit 5mm pin		1 pc.
c2)	200-9151.00-00000	Slotted 2x4mm		1 pc.
d)	200-9192.00-00000	Hex. 7/16"		1 pc.
d1)	100-9164.00-00000	Hex. SW 11	Yes	1 pc.
e)	200-9195.00-00000	Socket hex. 8mm (5/16")		1 pc.
e1)	100-9118.00-00000	Socket hex. 8mm (5/16")		1 pc.
f)	200-9125.00-00000	Star knob		1 pc.
g)	200-9179.00-00000	Wing knob		1 pc.





## 1-900.04 Adapter

### Avantages

### Materials

### Adapter

Part Number	Name	Delivery Unit
100-9019.00-00000	Adapter set L14	1 pc.
200-9031.00-00000	Adapter set L20	10 pcs.
100-9020.00-00000	Adapter set L21	1 pc.
100-9021.00-00000	Adapter set L25	1 pc.
200-9032.00-00000	Adapter set L26	10 pcs.
200-9033.00-00000	Adapter set L30	10 pcs.
100-9022.00-00000	Adapter set L33	1 pc.
100-9206.00-00024	Adapter set L36	10 pcs.
200-9034.00-00000	Adapter set L40	10 pcs.
100-9023.00-00000	Adapter set L44	1 pc.
200-9035.00-00000	Adapter set L50	10 pcs.







## 7-105 Cams L35/45 Stainless Steel



### Avantages

- Cams with ramp and stop with 35mm and 45mm length for 1-point locking.
- 3-point cam for 3-point locking.
- 2-point cam as rod control for 2-point locking.

### Materials

- **Cams:** AISI 304

### Notes

Slide shoe for cams 35 and 45mm, see product system 1-103  
1. ramp 3mm  
2. stroke 18mm  
3. stubs for c-clips included



## Cams, L45

Part Number	H-dimension GI18	H-dimension GI30	H-dimension GI36	H-dimension GI40	H-dimension GI50	H-dimension GI60	Delivery Unit
200-0506.00-00000	6 mm	18 mm	24 mm	28 mm	38 mm	48 mm	1 pc.
200-0508.00-00000	8 mm	20 mm	26 mm	30 mm	40 mm	50 mm	1 pc.
200-0510.00-00000	10 mm	22 mm	28 mm	32 mm	42 mm	52 mm	1 pc.
200-0514.00-00000	14 mm	26 mm	32 mm	36 mm	46 mm	56 mm	1 pc.
200-0516.00-00000	16 mm	28 mm	34 mm	38 mm	48 mm	58 mm	1 pc.
200-0518.00-00000	18 mm	30 mm	36 mm	40 mm	50 mm	60 mm	1 pc.
200-0520.00-00000	20 mm	32 mm	38 mm	42 mm	52 mm	62 mm	1 pc.
200-0522.00-00000	22 mm	34 mm	40 mm	44 mm	54 mm	64 mm	1 pc.
200-0524.00-00000	24 mm	36 mm	42 mm	46 mm	56 mm	66 mm	1 pc.
200-0526.00-00000	26 mm	38 mm	44 mm	48 mm	58 mm	68 mm	1 pc.
200-0528.00-00000	28 mm	40 mm	46 mm	50 mm	60 mm	70 mm	1 pc.
200-0532.00-00000	32 mm	44 mm	50 mm	54 mm	64 mm	74 mm	1 pc.
200-0540.00-00000	40 mm	52 mm	58 mm	62 mm	72 mm	82 mm	1 pc.
200-0542.00-00000	42 mm	54 mm	60 mm	64 mm	74 mm	84 mm	1 pc.
200-0550.00-00000	50 mm	62 mm	68 mm	72 mm	82 mm	92 mm	1 pc.

## Cams, L35

Part Number	H-dimension GI18	H-dimension GI30	H-dimension GI36	H-dimension GI40	H-dimension GI50	H-dimension GI60	Delivery Unit
200-4535.00-00018	18 mm	30 mm	36 mm	40 mm	50 mm	60 mm	1 pc.
200-4535.00-00020	20 mm	32 mm	38 mm	42 mm	52 mm	62 mm	1 pc.
200-4535.00-00022	22 mm	34 mm	40 mm	44 mm	54 mm	64 mm	1 pc.

## 3-point cam

Part Number	Version	Delivery Unit
200-9845.00-00022	Bending A20	1 pc.
200-9845.00-00028	Bending A26	1 pc.

## 2-point cam

Part Number	Delivery Unit
200-9899.00-00000	1 pc.

